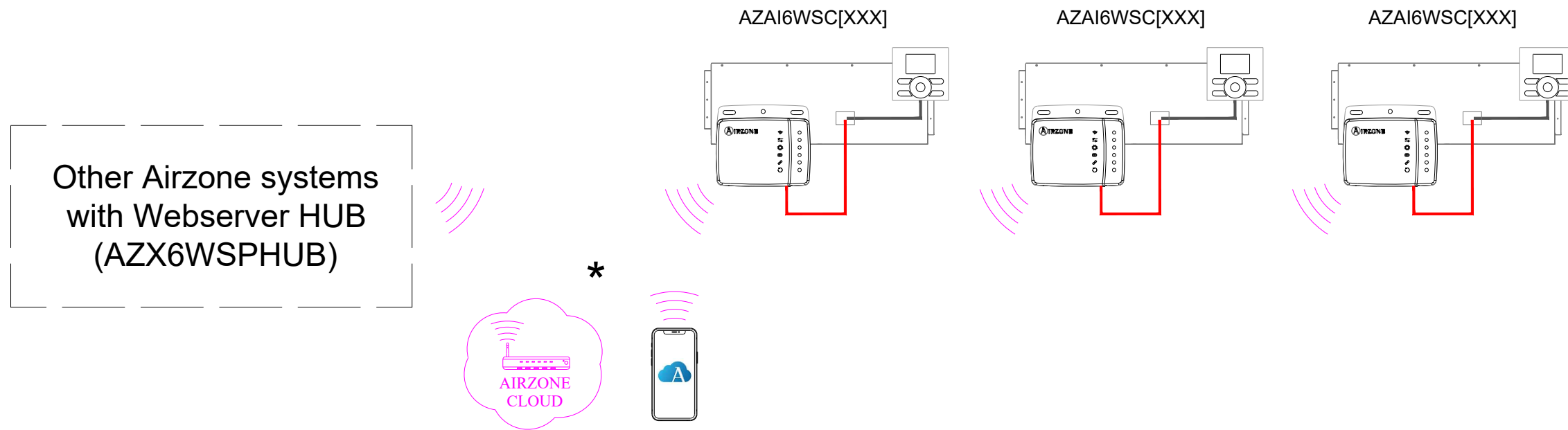
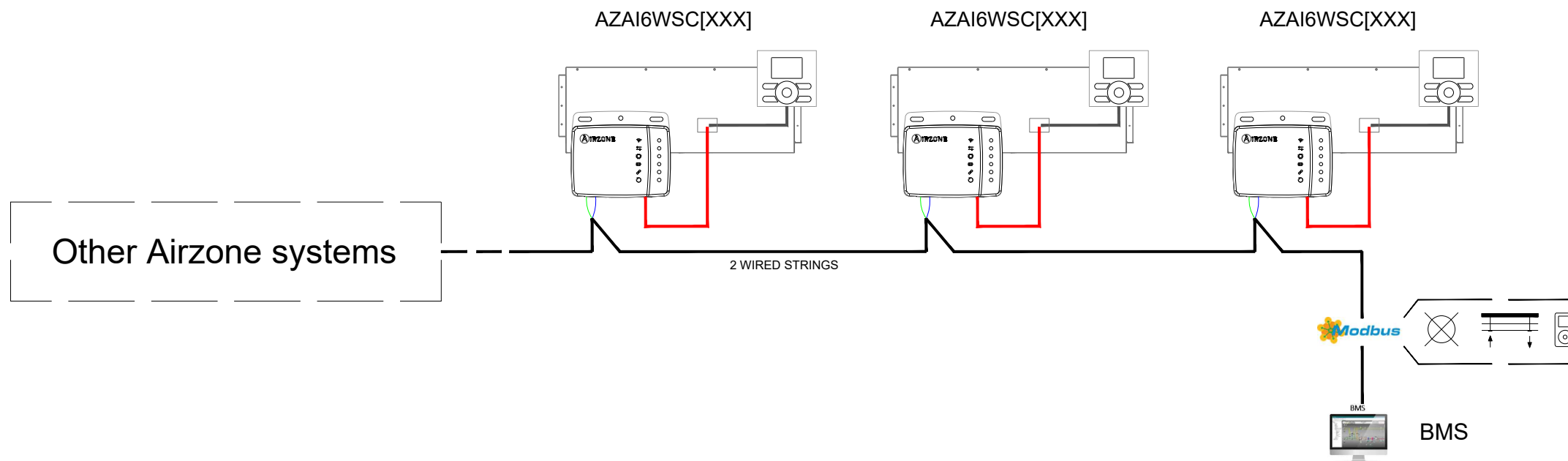


# AIDOO WI-FI

## Airzone Cloud Integration



## Modbus integration



\*Airzone Cloud allows to integrate Aidoo and other Airzone systems.

**Note:** Check indoor unit manufacturer to select the correct Aidoo Wi-Fi model.

Modbus  
RTU Port



DUAL WIFI



Bluetooth  
configuration

PLAN

DETAIL DIAGRAM

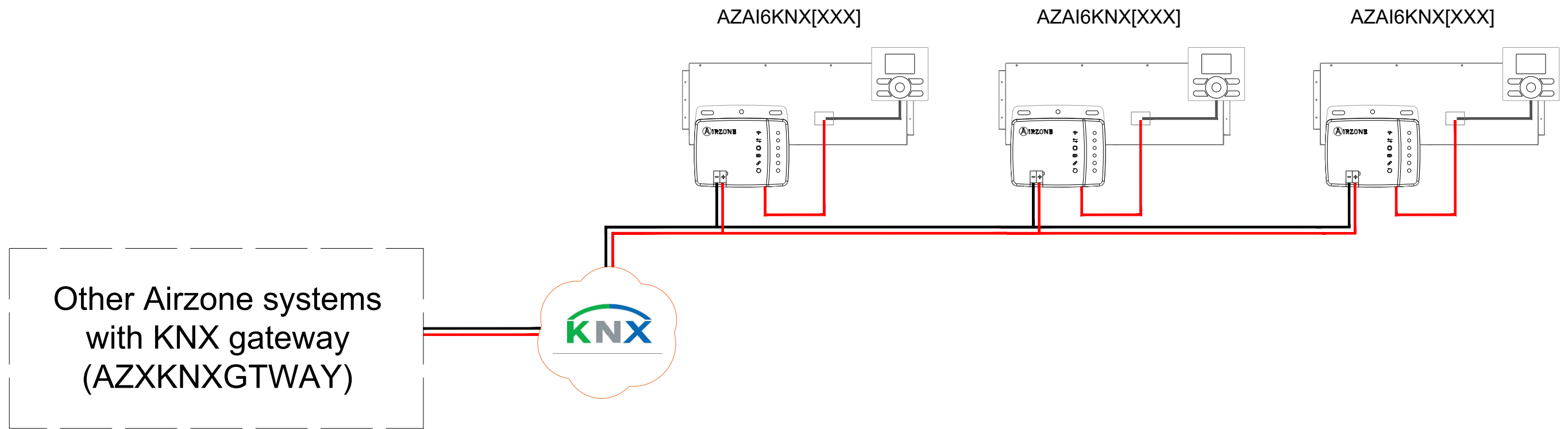
PLAN

1/4

DATE : 2023



# AIDOO KNX

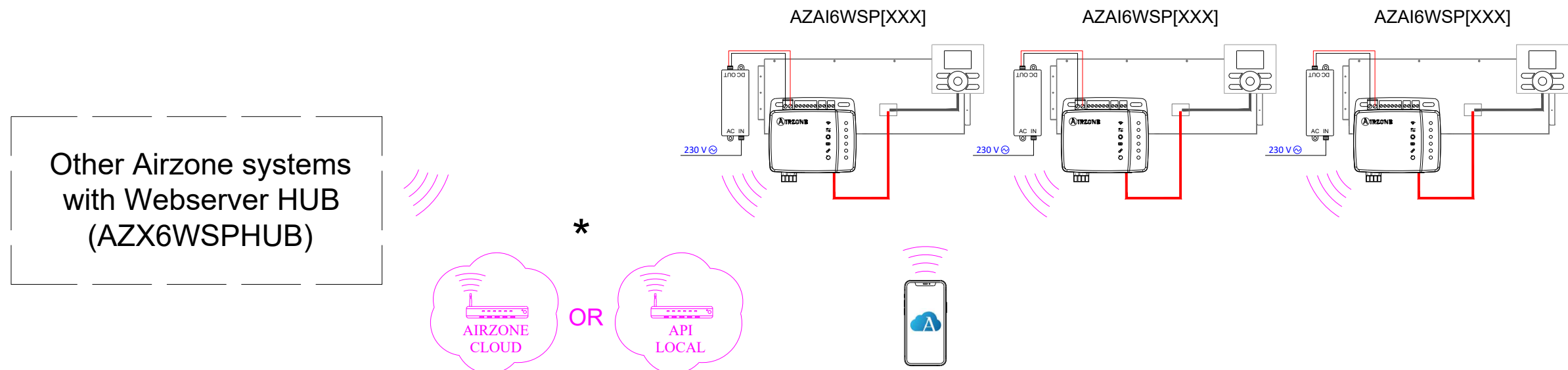


**Note:** Check indoor unit manufacturer to select the correct Aidoo KNX model.

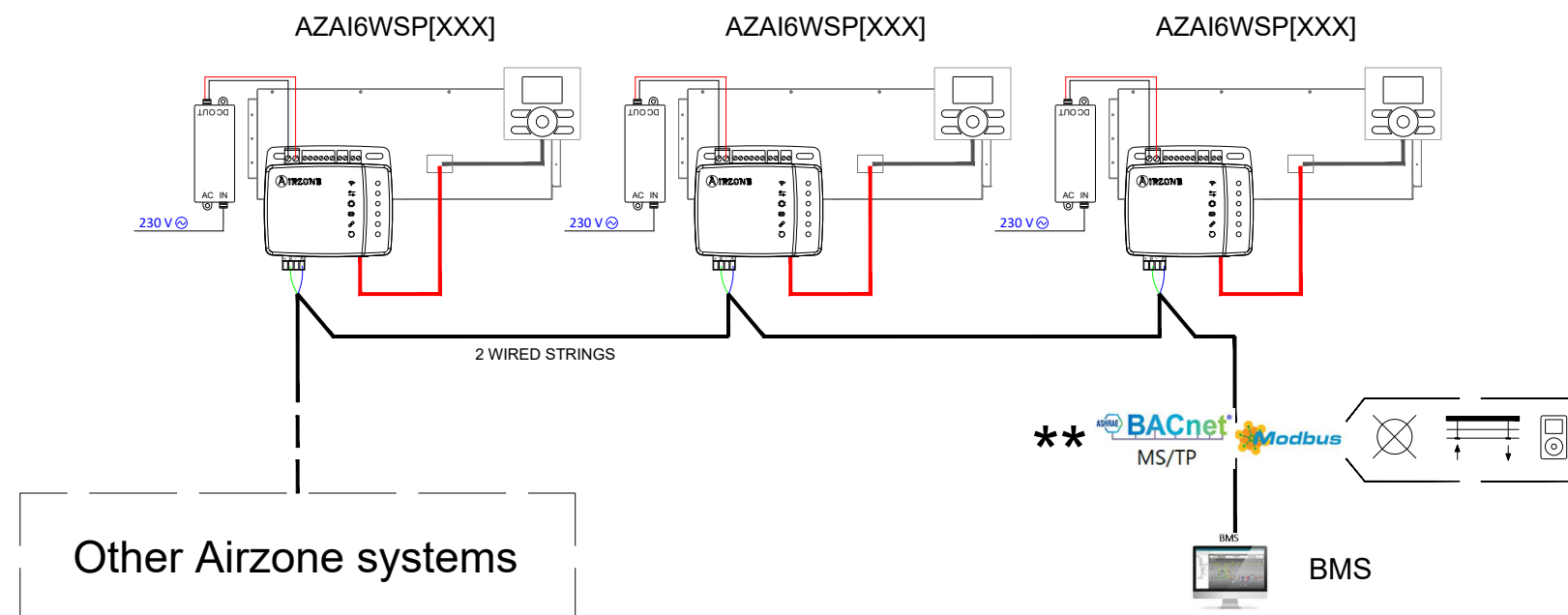


# AIDOO PRO

## Airzone Cloud / API Local Integration



## Modbus / BACnet integration



\*Airzone Cloud allows to integrate Aidoo and other Airzone systems.

\*\*For BACnet IP integration support please contact [projects@airzonecontrol.com](mailto:projects@airzonecontrol.com)

Note: Check indoor unit manufacturer to select the correct Aidoo Pro model.

{REST:API}

API

BACnet

MS/TP Port

Modbus RTU Port

DUAL WIFI

Bluetooth configuration

PLAN

DETAIL DIAGRAM

PLAN

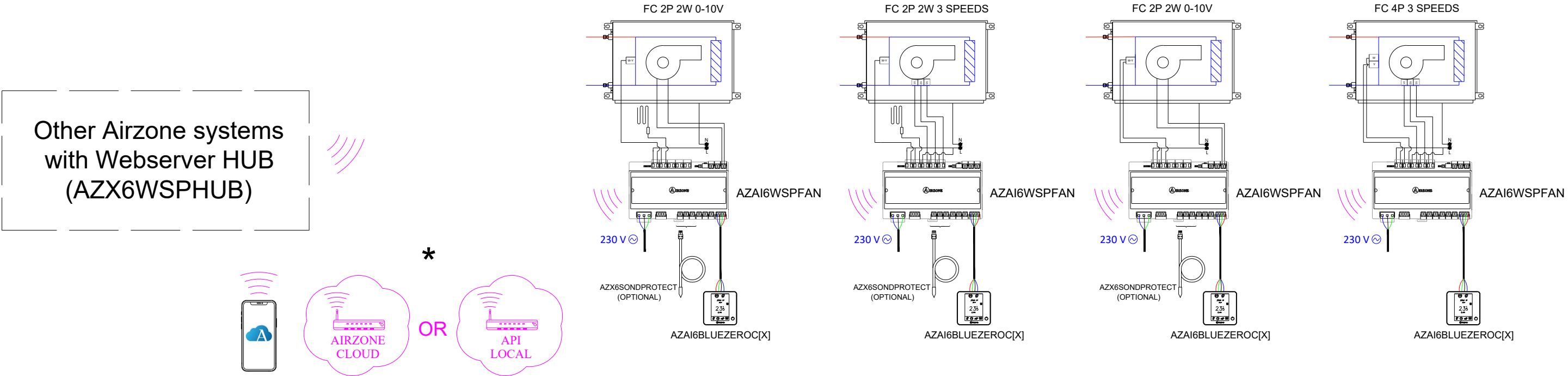
3/4

DATE : 2023

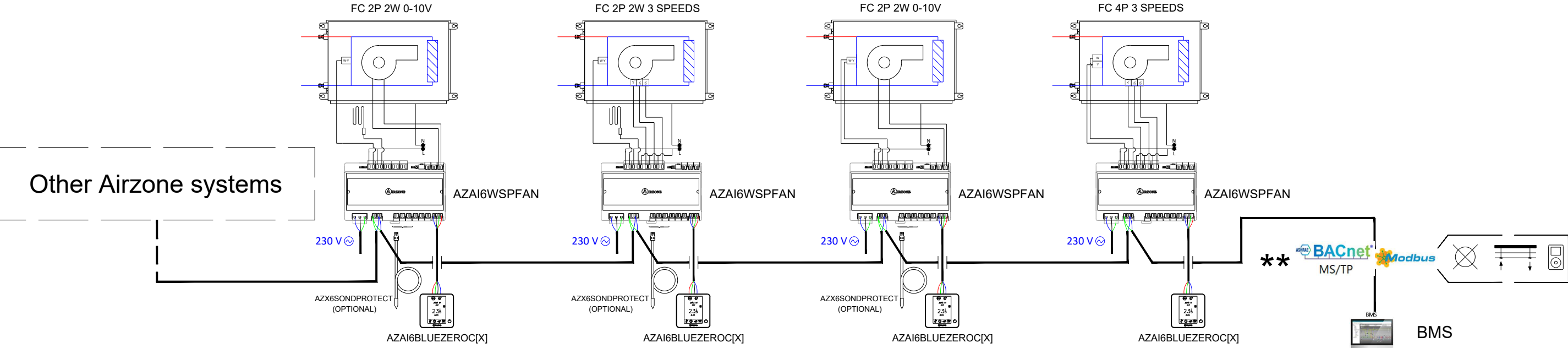


# AIDOO PRO FANCOIL

## Airzone Cloud / API Local Integration



## Modbus / BACnet integration



\*Airzone Cloud allows to integrate Aidoo and other Airzone systems.  
 \*\*For BACnet IP integration support please contact [projects@airzonecontrol.com](mailto:projects@airzonecontrol.com)

- [REST:API]
- API
- BACnet MS/TP Port
- Modbus RTU Port
- DUAL WIFI
- Bluetooth configuration