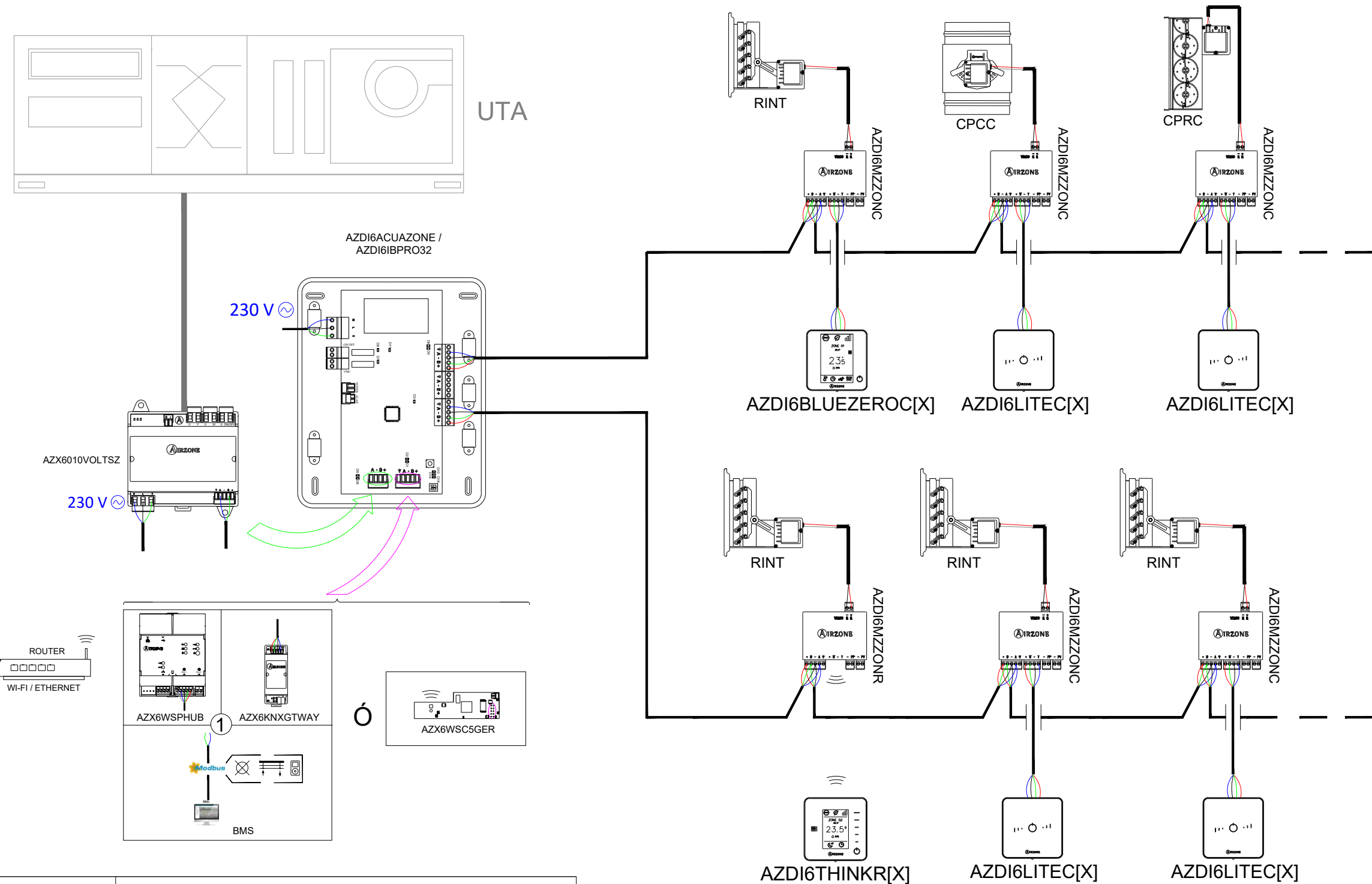


- A Azul | Blue | Azul | Bleu | Blu
 - Negro | Black | Negro | Noir | Nero
 - B Verde | Green | Verde | Vert | Verde
 - + Rojo | Red | Vermelho | Rouge | Rosso
-
- N Neutro | Neutral | Neutro | Neutre | Neutro
 - L Fase | Phase | Fase | Phase | Fase
 - ⏚ Tierra | Ground | Terra | Terre | Terra



EQUIPO COMPACTO ZONIFICADO HASTA 32 ZONAS

ES

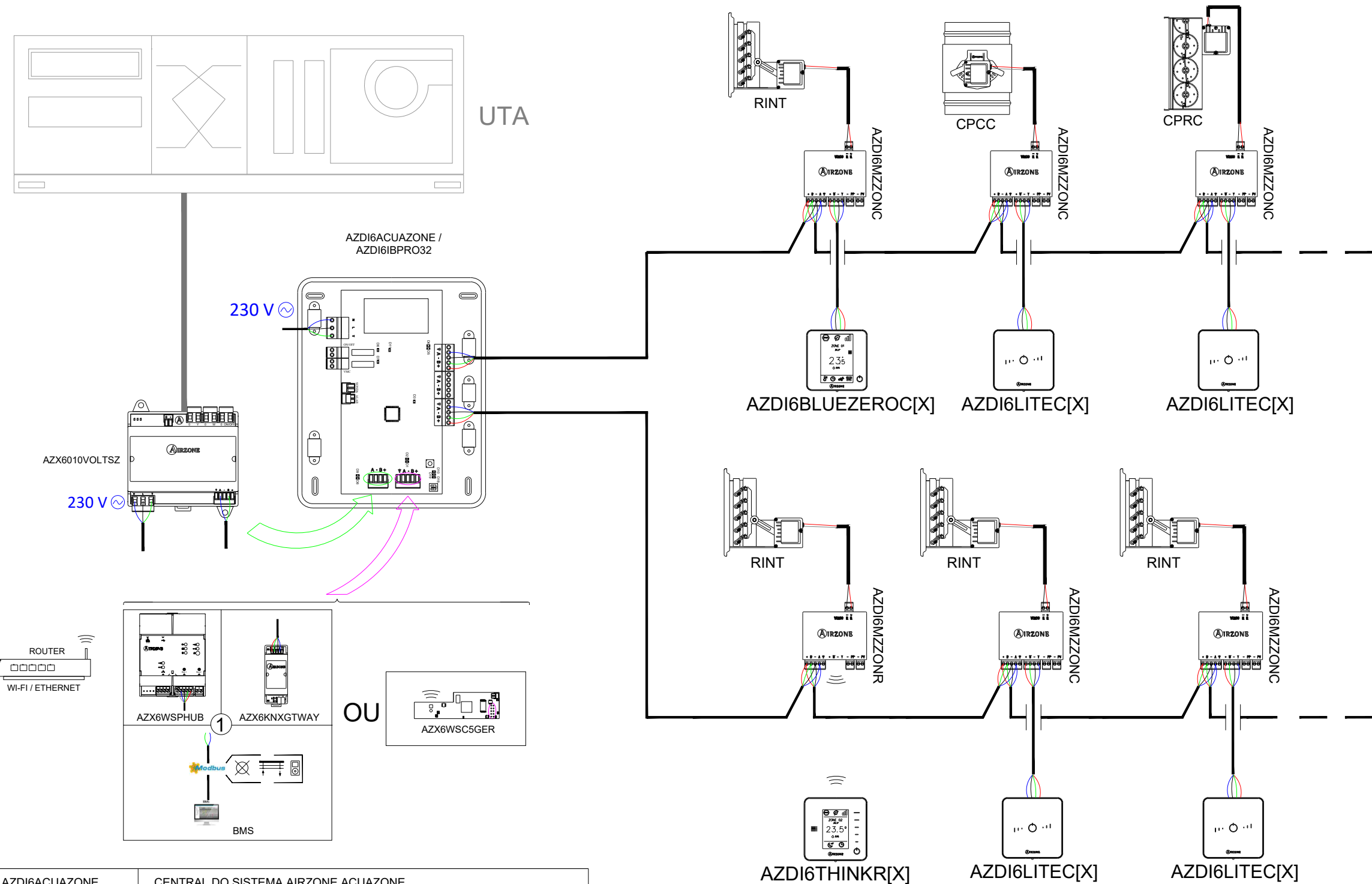


AZDI6ACUAZONE	CENTRAL DE SISTEMA AIRZONE ACUAZONE
AZDI6BLUEZEROC[X]	TERMOSTATO BLUEFACE ZERO [COLOR] AIRZONE
AZDI6THINK[R][X]	TERMOSTATO [RADIO] THINK [COLOR] AIRZONE
AZDI6LITE[C/R][X]	TERMOSTATO [CABLE/RADIO] LITE [COLOR] AIRZONE
AZDI6MZZON[C/R]	MÓDULO DE ZONA MOTOR [CABLE/RADIO] AIRZONE
AZX6KNXGTWAY	PASARELA DE INTEGRACIÓN KNX-AIRZONE
AZX6WSPHUB	WEBSERVER HUB AIRZONE CLOUD DUAL
AZX6WSC5GER	WEBSERVER AIRZONE CLOUD WIFI DUAL
AZX6010VOLTSZ	PASARELA DE CONTROL AIRZONE-FANCOIL 0-10V



UNIDADE COMPACTA ZONIFICADA ATÉ 32 ZONAS

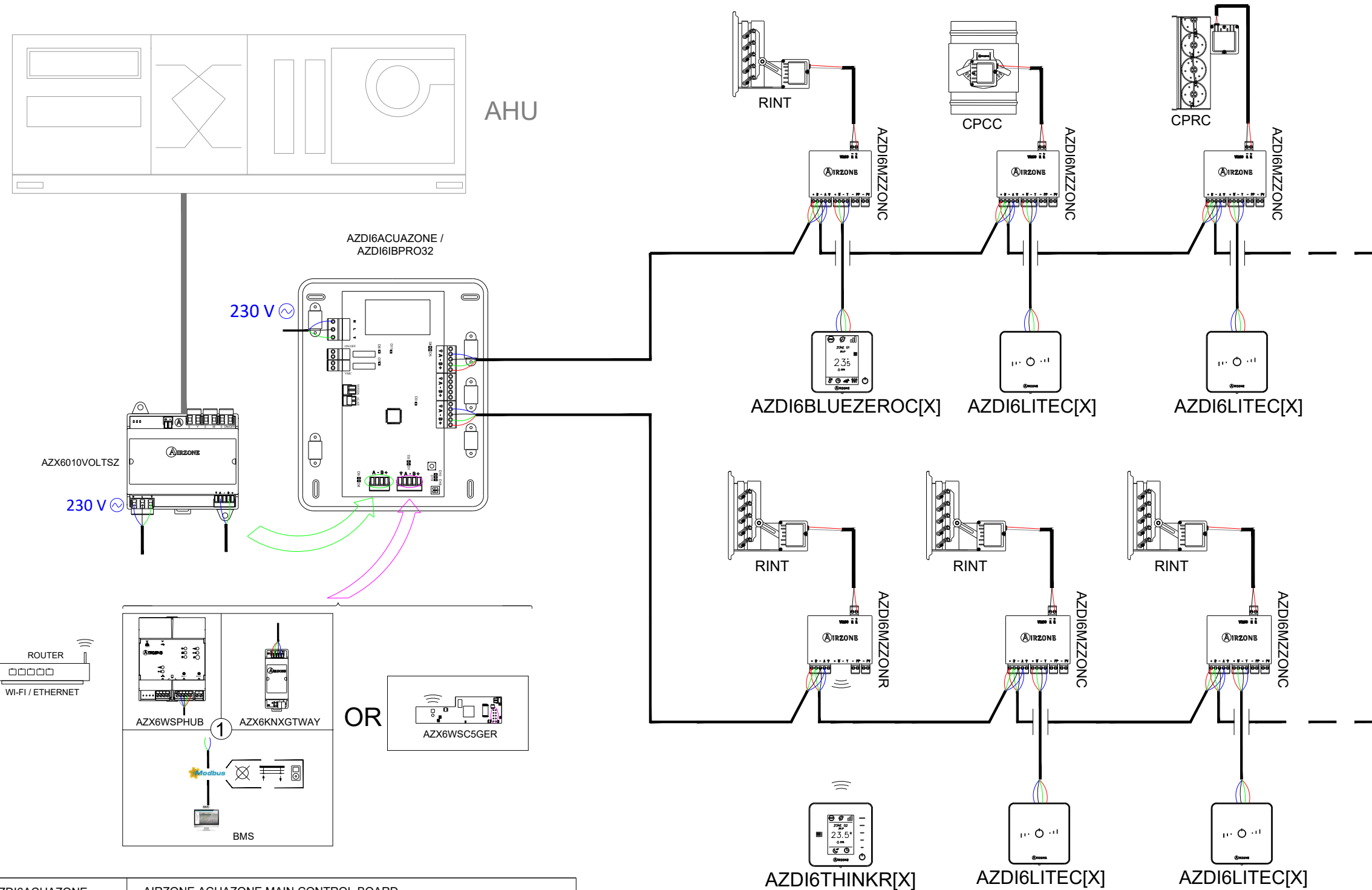
PT



AZD16ACUAZONE	CENTRAL DO SISTEMA AIRZONE ACUAZONE
AZD16BLUEZEROC[X]	TERMOSTATO BLUEFACE ZERO [COR] AIRZONE
AZD16THINK[R][X]	TERMOSTATO [RADIO] THINK [COR] AIRZONE
AZD16LITE[C/R][X]	TERMOSTATO [CABO/RADIO] LITE [COR] AIRZONE
AZD16MZZON[C/R]	MÓDULO DE ZONA MOTOR [CABO/RADIO] AIRZONE
AZX6KNXGTWAY	GATEWAY DE INTEGRAÇÃO KNX-AIRZONE
AZX6WSPHUB	WEBSERVER HUB AIRZONE CLOUD DUAL
AZX6WSC5GER	WEBSERVER AIRZONE CLOUD WIFI DUAL
AZX6010VOLTSZ	GATEWAY DE CONTROLO AIRZONE FANCOIL 0-10V



ZONED ROOF-TOP UNIT-UP TO 32 ZONES

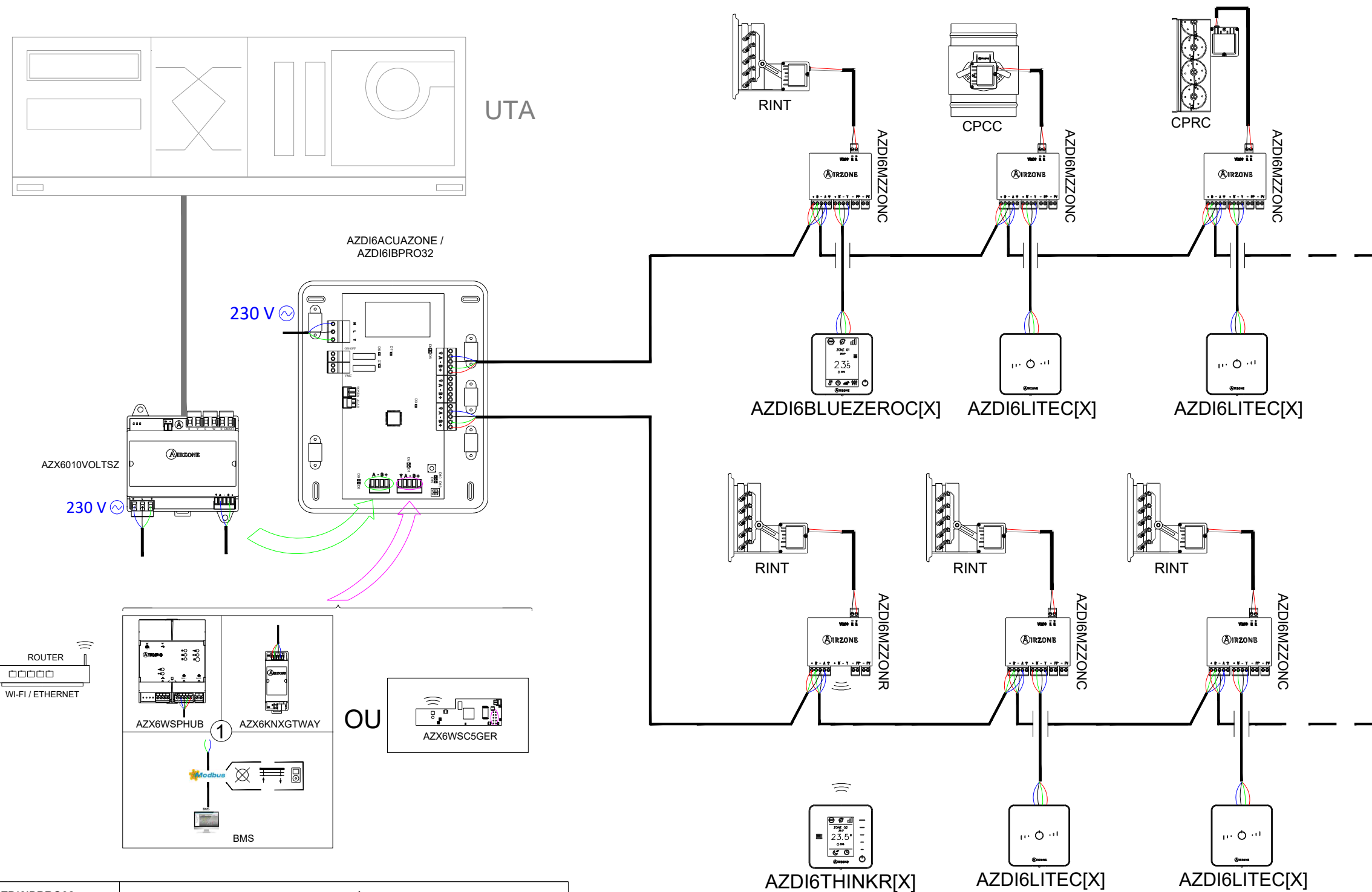


AZDI6ACUAZONE	AIRZONE ACUAZONE MAIN CONTROL BOARD
AZDI6BLUEZEROC[X]	AIRZONE BLUEFACE ZERO [COLOUR] THERMOSTAT
AZDI6THINK[R][X]	AIRZONE THINK [COLOUR] THERMOSTAT [WIRED/WIRELESS]
AZDI6LITE[C/R][X]	AIRZONE LITE [COLOUR] THERMOSTAT [WIRED/WIRELESS]
AZDI6MZZON[C/R]	AIRZONE ACTUATOR ZONE MODULE [WIRED/WIRELESS]
AZX6KNXGTWAY	KNX-AIRZONE INTEGRATION GATEWAY
AZX6WSPHUB	WEBSERVER HUB AIRZONE CLOUD DUAL
AZX6WSC5GER	WEBSERVER AIRZONE CLOUD WIFI DUAL
AZX6010VOLTSZ	AIRZONE 0-10V FANCOIL CONTROL GATEWAY



CENTRALE DE TRAITEMENT D'AIR (ROOF-TOP) AVEC RÉGULATION MULTIZONE JUSQU'À 32 ZONES (INNOBUS PRO 32)

FR



AZDI6BPRO32	PLATINE CENTRALE AIRZONE DU SYSTÈME INNOBUS PRO32
AZDI6BLUEZEROC[X]	THERMOSTAT [COLEUR] AIRZONE BLUEFACE ZERO
AZDI6THINK[R][X]	THERMOSTAT [COLEUR] AIRZONE THINK [RADIO]
AZDI6LITE[C/R][X]	THERMOSTAT [COLEUR] AIRZONE LITE [FILAIRE/RADIO]
AZDI6MZZON[C/R]	MODULE LOCAL AIRZONE [FILAIRE/RADIO]
AZX6KNXGTWAY	PASSERELLE D'INTEGRATION KNX-AIRZONE
AZX6WSPHUB	WEBSERVER HUB AIRZONE CLOUD DUAL
AZX6WSC5GER	WEBSERVER AIRZONE CLOUD WIFI DUAL
AZX6010VOLTSZ	PASSERELLE DE CONTRÔLE AIRZONE VENTIL-CONVECTEUR 0-10V



PLAN SCHÉMA D'INSTALLATION PLAN 2/2

DESSINATEUR : DÉPARTEMENT PROJETS AIRZONE

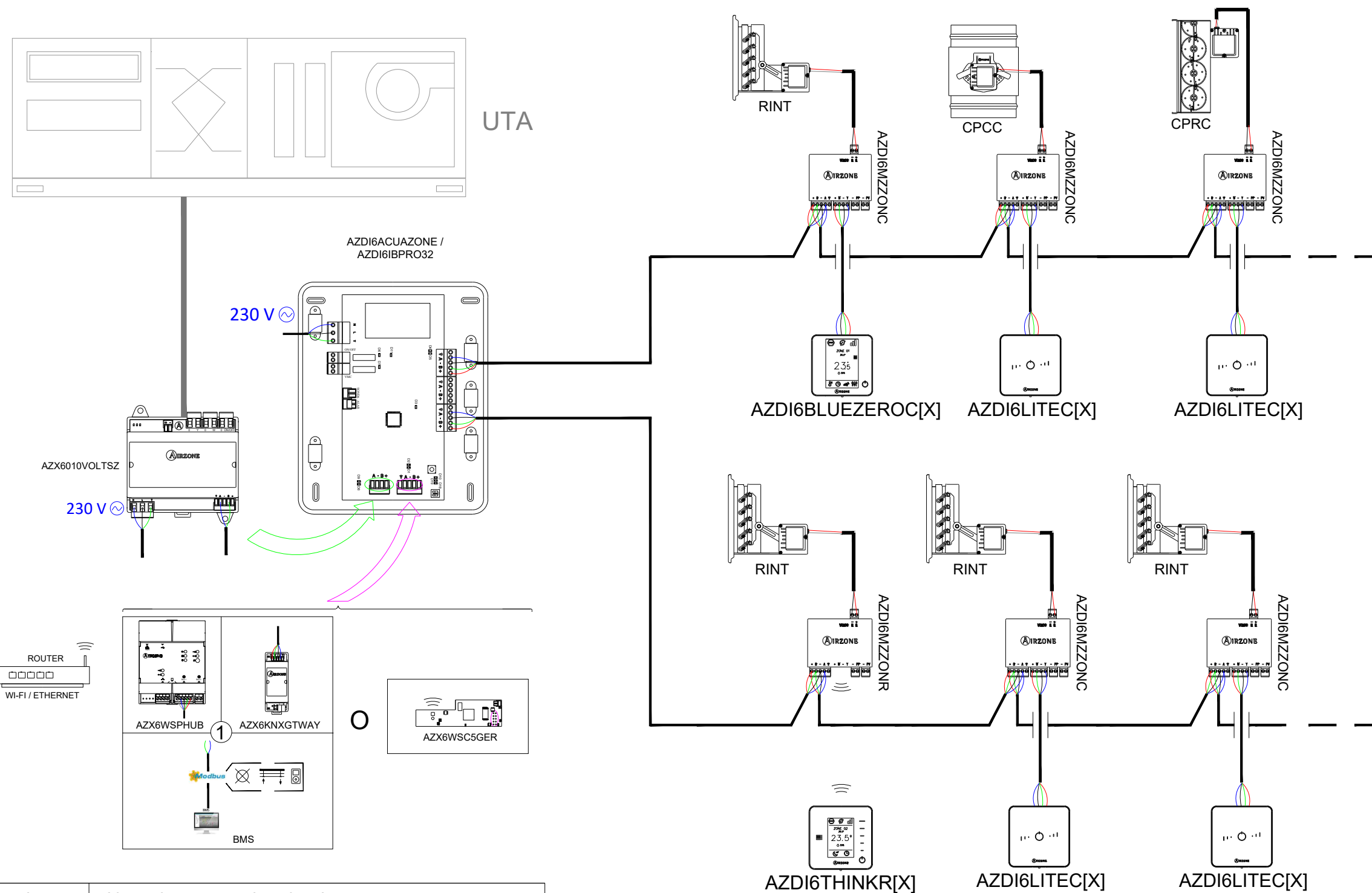
DATE : 2023

TITRE : CENTRALE DE TRAITEMENT D'AIR ROOF-TOP MULTIZONE JUSQU'À 32 ZONES

CONTACT: projets@airzonefrance.fr Téléphone: 01 82 88 51 49 www.airzonecontrol.com

UNITÀ A GRANDI PORTATE D'ARIA FINO A 32 ZONE

IT



AZDI6ACUAZONE	SCHEDA CENTRALE AIRZONE ACUAZONE
AZDI6BLUEZEROC[X]	TERMOSTATO [COLORE] AIRZONE BLUEFACE ZERO
AZDI6THINK[R][X]	TERMOSTATO [RADIO] THINK [COLORE] AIRZONE
AZDI6LITE[C/R][X]	TERMOSTATO [CAVO/RADIO] LITE [COLORE] AIRZONE
AZDI6MZZON[C/R]	MODULI DI ZONA AIRZONE MOTORIZZAZIONE [CAVO/RADIO]
AZX6KNXGTWAY	INTERFACCIA DI INTEGRAZIONE KNX-AIRZONE
AZX6WSPHUB	WEBSERVER HUB AIRZONE CLOUD DUAL
AZX6WSC5GER	WEBSERVER AIRZONE CLOUD WIFI DUAL
AZX6010VOLTSZ	INTERFACCIA DI CONTROLLO FANCOIL 0-10V AIRZONE

