

AZCE6BLUEZEROC[X] AZCE6LITEC[X] AZCE6LITEC[X] AZCE6THINKR[X]

AZX6CCPGAWI

Termostato / Thermostat

AZX6WSPHUB

230 V ~

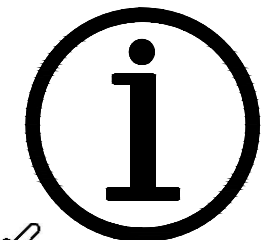
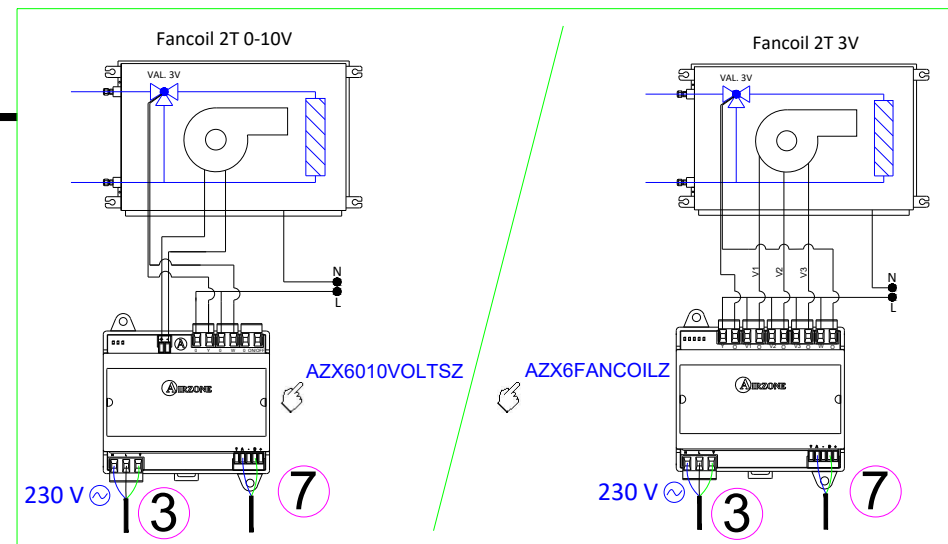
230 V

AZCE8CB1MOT

RINTxxxBKMRE

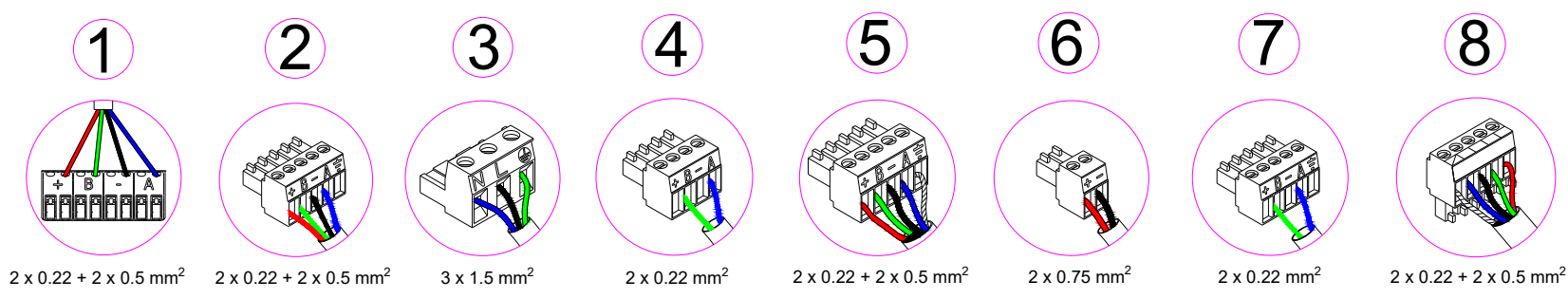
CPRCxxxMTE

CPCxxxMTE

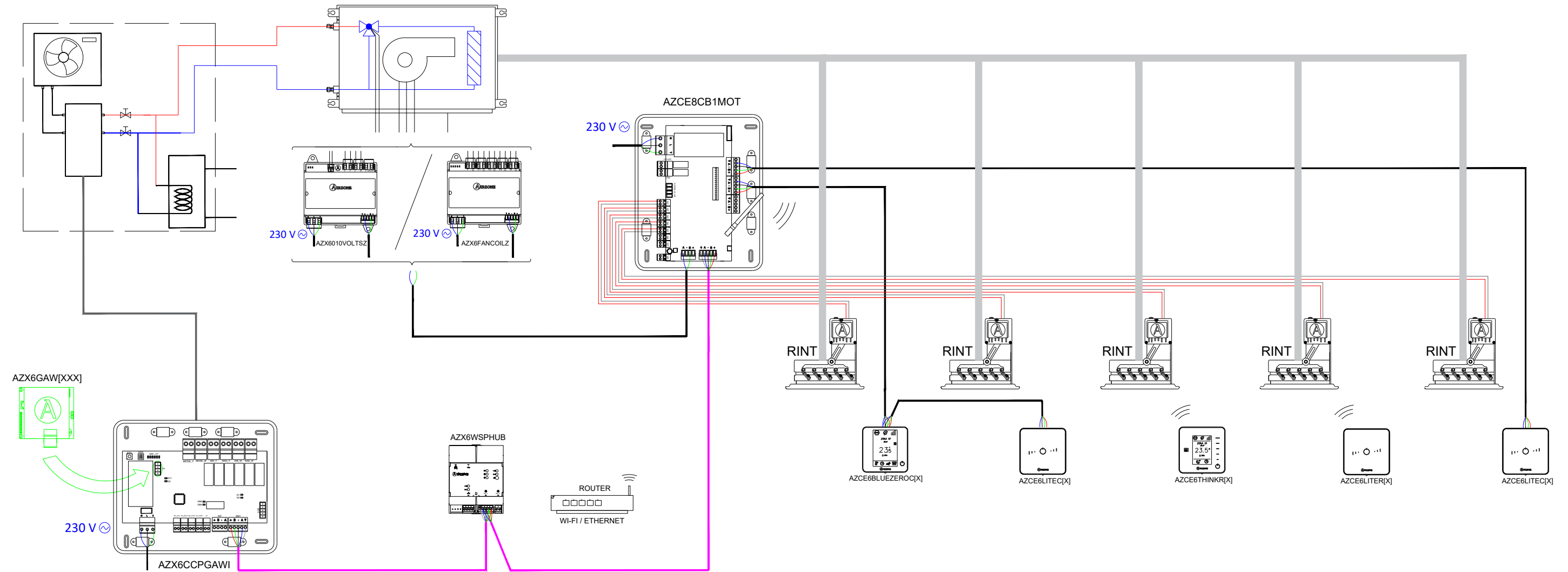


N Neutro | Neutral | Neutro | Neutre | Neutro
 L Fase | Phase | Fase | Phase | Fase
 Tierra | Ground | Terra | Terre | Terra

A Azul | Blue | Azul | Bleu | Blu
 - Negro | Black | Negro | Noir | Nero
 B Verde | Green | Verde | Vert | Verde
 + Rojo | Red | Vermelho | Rouge | Rosso



EQUIPO DE AEROTERMIA CON FANCOIL ZONIFICADO HASTA 8 ZONAS



AZCE8CB1MOT	CENTRAL DE SISTEMA AIRZONE FLEXA 3.0
AZCE6BLUEZERO[X]	TERMOSTATO BLUEFACE ZERO [COLOR] AIRZONE
AZCE6THINK[R][X]	TERMOSTATO [RADIO] THINK [COLOR] AIRZONE
AZCE6LITE[C/R][X]	TERMOSTATO [CABLE/RADIO] LITE [COLOR] AIRZONE
AZX6WSPHUB	WEBSERVER HUB AIRZONE CLOUD DUAL
AZX6FANCOILZ	PASARELA CONTROL AIRZONE-FANCOIL 3 VELOCIDADES
AZX6010VOLTSZ	PASARELA DE CONTROL AIRZONE-FANCOIL 0-10V
AZX6GAW[XXX]	PASARELA AEROTERMIA AIRZONE [FABRICANTE]
RINT[XXXXXX][X]KMRE	REJILLA INTELIGENTE TRIPLE AIRZONE [TAMAÑO] [COLOR]
AZX6CCPGAWI	CENTRAL DE CONTROL DE PRODUCCIÓN HIDRÓNICA AIRZONE

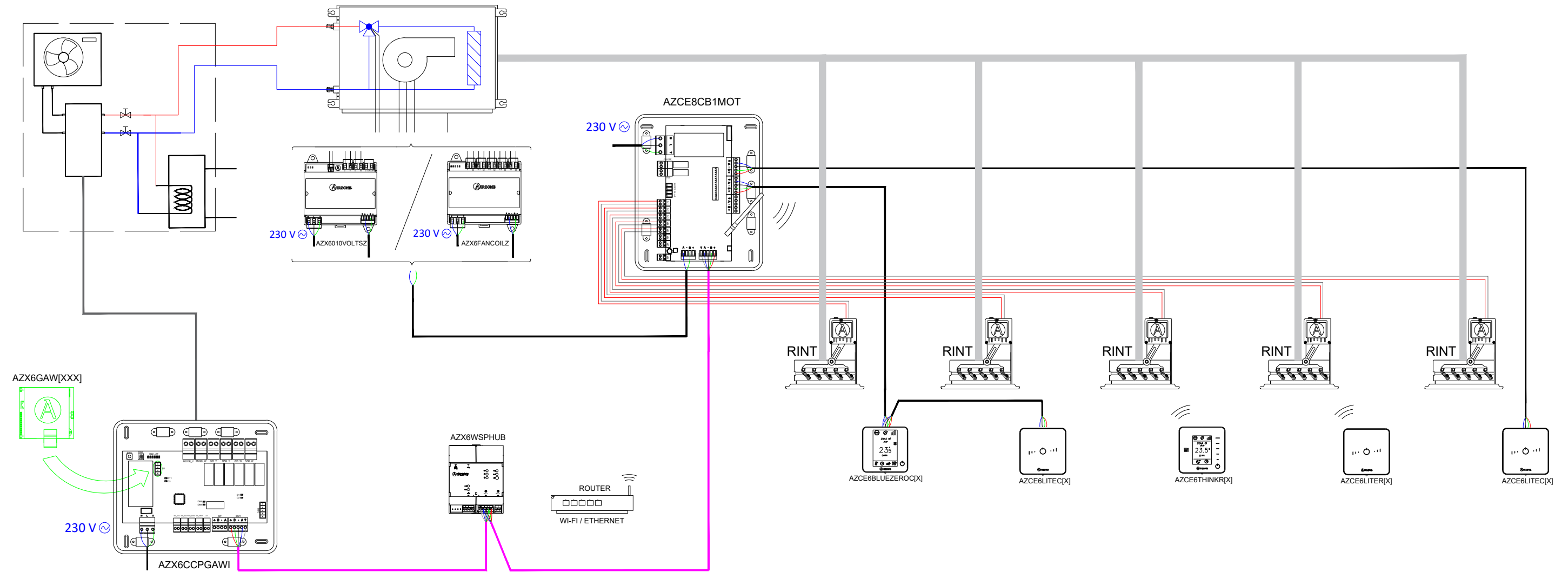


PLANO ESQUEMA DE INSTALACIÓN PLANO 2/2

REALIZADOR : DEPARTAMENTO DE PROYECTOS ALTRA CORPORACIÓN

FECHA : 2023
 TÍTULO : EQUIPO DE AEROTERMIA CON FANCOIL ZONIFICADO HASTA 8 ZONAS
 CONTACTO: proyectos@airzonecontrol.com Teléfono: 900 400 445 www.airzonecontrol.com

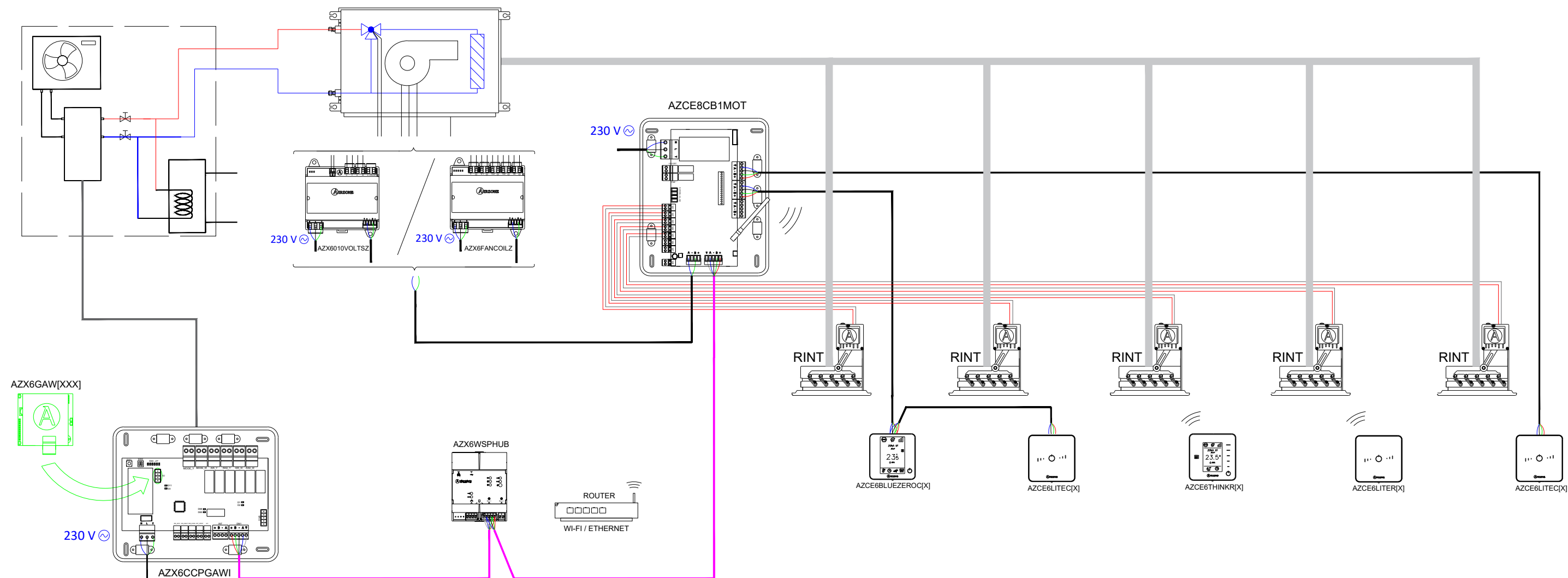
UNIDADE DE AEROTERMIA COM FANCOIL ZONIFICADO ATÉ 8 ZONAS



AZCE8CB1MOT	CENTRAL DO SISTEMA AIRZONE FLEXA 3.0
AZCE6BLUEZERO[X]	TERMOSTATO BLUEFACE ZERO [COR] AIRZONE
AZCE6THINK[R][X]	TERMOSTATO [RADIO] THINK [COR] AIRZONE
AZCE6LITE[C/R][X]	TERMOSTATO [CABO/RADIO] LITE [COR] AIRZONE
AZX6WSPHUB	WEBSERVER HUB AIRZONE CLOUD DUAL
AZX6GAW[XXX]	GATEWAY DE AEROTERMIA AIRZONE [MARCA]
RINT[XXXXXX][X]KMRE	GRELHA INTELIGENTE TRIPLA AIRZONE [TAMANHO] [COR]
AZX6FANCOILZ	GATEWAY DE CONTROLO AIRZONE-FANCOIL 3 VELOCIDADES
AZX6010VOLTSZ	GATEWAY DE CONTROLO AIRZONE-FANCOIL 0-10V
AZX6CCPGAWI	CENTRAL DE CONTROLO DE PRODUÇÃO HIDRÔNICA AIRZONE



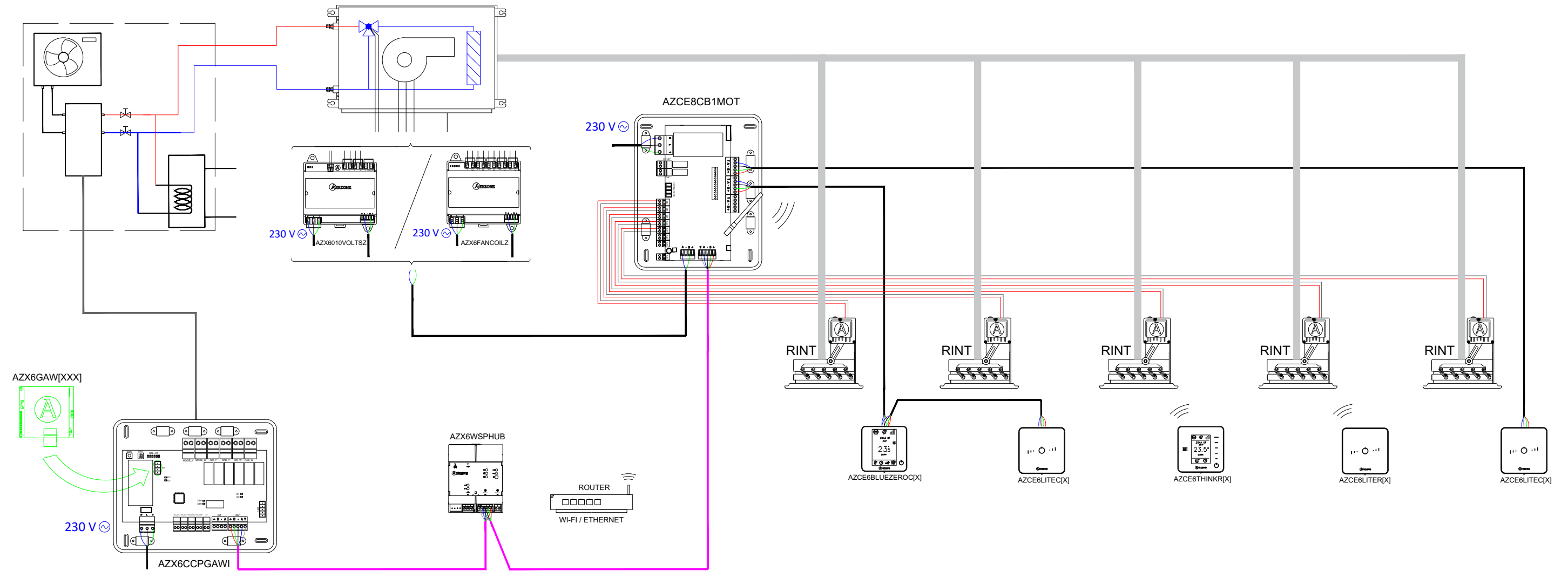
AIR-WATER HEAT PUMP WITH ZONED FANCOIL-UP TO 8 ZONES



AZCE8CB1MOT	AIRZONE FLEXA 3.0 MAIN CONTROL BOARD
AZCE6BLUEZEROC[X]	AIRZONE BLUEFACE ZERO [COLOUR] THERMOSTAT
AZCE6THINK[R][X]	AIRZONE THINK [COLOUR] THERMOSTAT [WIRELESS]
AZCE6LITE[C/R][X]	AIRZONE LITE [COLOUR] THERMOSTAT [WIRED/WIRELESS]
AZX6WSPHUB	WEBSERVER HUB AIRZONE CLOUD DUAL
AZX6GAW[XXX]	AIRZONE [MANUFACTURER] AIR TO WATER GATEWAY
RINT[XXXXX][X]KMRE	AIRZONE TRIPLE SMART GRILLE [SIZE] [COLOUR]
AZX6FANCOILZ	AIRZONE CONTROL GATEWAY-3 SPEEDS FANCOIL
AZX6010VOLTSZ	AIRZONE 0-10V FANCOIL CONTROL GATEWAY
AZX6CCPGAWI	AIRZONE HYDRONIC PRODUCTION CONTROL BOARD



VENTILO-CONVECTEUR AVEC RÉGULATION MULTIZONE JUSQU'À 8 ZONES (INNOBUS PRO 6)



AZCE8CB1MOT	PLATINE CENTRALE AIRZONE DU SYSTÈME INNOBUS PRO6
AZCE6BLUEZERO[X]	THERMOSTAT [COLEUR] AIRZONE BLUEFACE ZERO
AZCE6THINK[R][X]	THERMOSTAT [COLEUR] AIRZONE THINK [RADIO]
AZCE6LITE[C/R][X]	THERMOSTAT [COLEUR] AIRZONE LITE [FILAIRE/RADIO]
AZX6WSPHUB	WEBSERVER HUB AIRZONE CLOUD DUAL
AZX6GAW[XXX]	PASSERELLE PAC-EAU AIRZONE [MARQUE]
RINT[XXXXXX][X]KMRE	GRILLE INTELLIGENTE TRIPLE AIRZONE [TAILLE] [COLEUR]
AZX6FANCOILZ	PASSERELLE DE CONTRÔLE AIRZONE VENTILO-CONVECTEUR 3 VITESSES
AZX6010VOLTSZ	PASSERELLE DE CONTRÔLE AIRZONE VENTILO-CONVECTEUR 0-10 V
AZX6CCPGAWI	CENTRALE DE CONTRÔLE DE PRODUCTION HYDRAULIQUE AIRZONE



PLAN SCHÉMA D'INSTALLATION

PLAN 2/2

DESSINATEUR : DÉPARTEMENT PROJETS AIRZONE

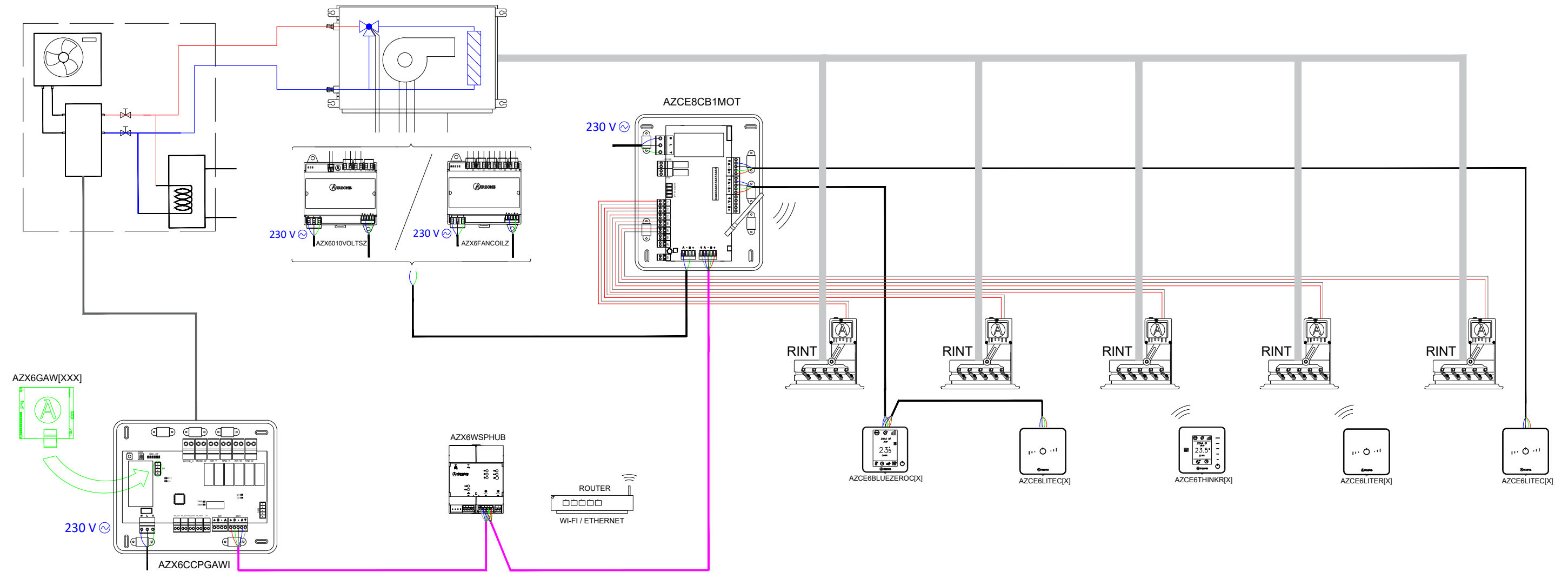
DATE : 2023

TITRE : VENTILO-CONVECTEUR AVEC RÉGULATION MULTIZONE JUSQU'À 8 ZONES

CONTACT: projets@airzonefrance.fr Téléphone: 01 82 88 51 49 www.airzonecontrol.com

IMPIANTO A POMPA DI CALORE CON FANCOIL CANALIZZATO FINO A 8 ZONE

IT



AZCE8CB1MOT	SCHEDA CENTRALE AIRZONE FLEXA 3.0
AZCE6BLUEZERO[X]	TERMOSTATO [COLORE] AIRZONE BLUEFACE ZERO
AZCE6THINK[R][X]	TERMOSTATO [RADIO] THINK [COLORE] AIRZONE
AZCE6LITE[C/R][X]	TERMOSTATO [CAVO/RADIO] LITE [COLORE] AIRZONE
AZX6WSPHUB	WEBSERVER HUB AIRZONE CLOUD DUAL
AZX6GAW[XXX]	INTERFACCIA IDRONICA AIRZONE [MARCHIO]
RINT[XXXXXX][X]KMRE	BOCCHETTA INTELLIGENTE TRIPLA AIRZONE [DIMENSIONE] [COLORE]
AZX6FANCOILZ	INTERFACCIA DI CONTROLLO FANCOIL 3 VELOCITÀ-AIRZONE
AZX6010VOLTSZ	INTERFACCIA DI CONTROLLO FANCOIL 0-10 V-AIRZONE
AZX6CCPGAWI	CENTRALE DI CONTROLLO DI PRODUZIONE IDRONICA AIRZONE

AIRZONE

PIANO SCHEMA D'INSTALLAZIONE

PIANO
2/2

DESSIGNATO DA : UFFICIO PROGETTI ALTRA CORPORACIÓN

DATA : 2023

TITOLO : IMPIANTO A POMPA DI CALORE CON FANCOIL CANALIZZATO FINO A 8 ZONE

CONTATTO: progetti@airzoneitalia.it Telefono: 02568 14756 www.airzoneitalia.it