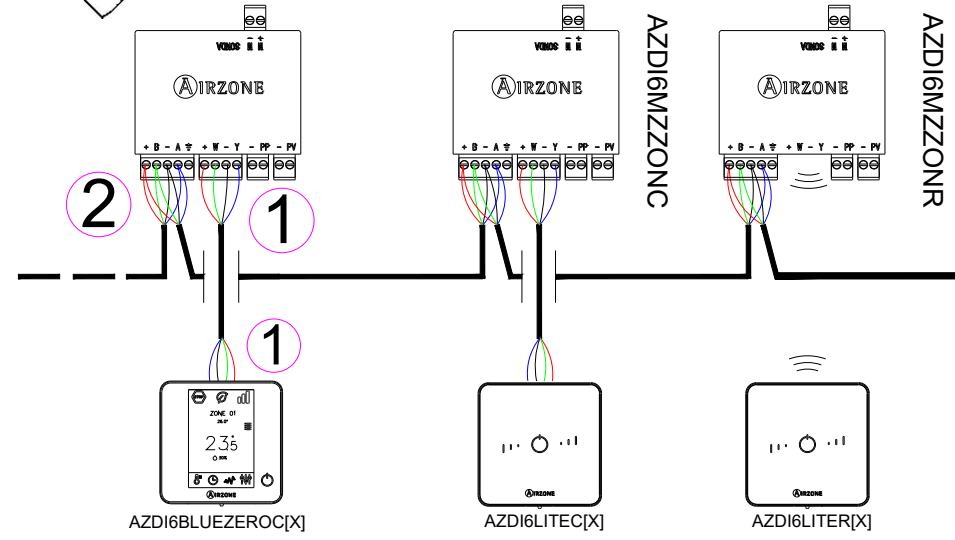
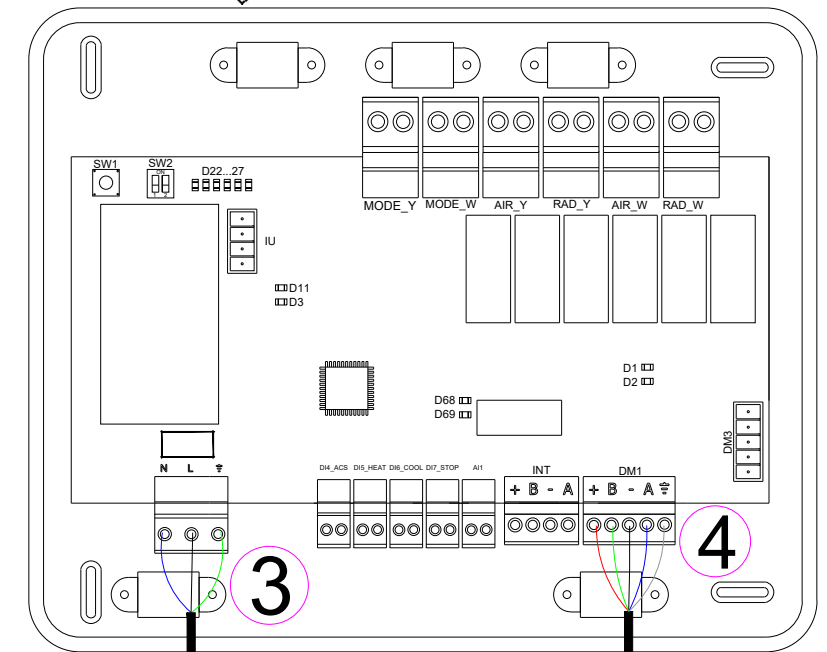
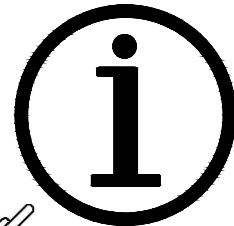


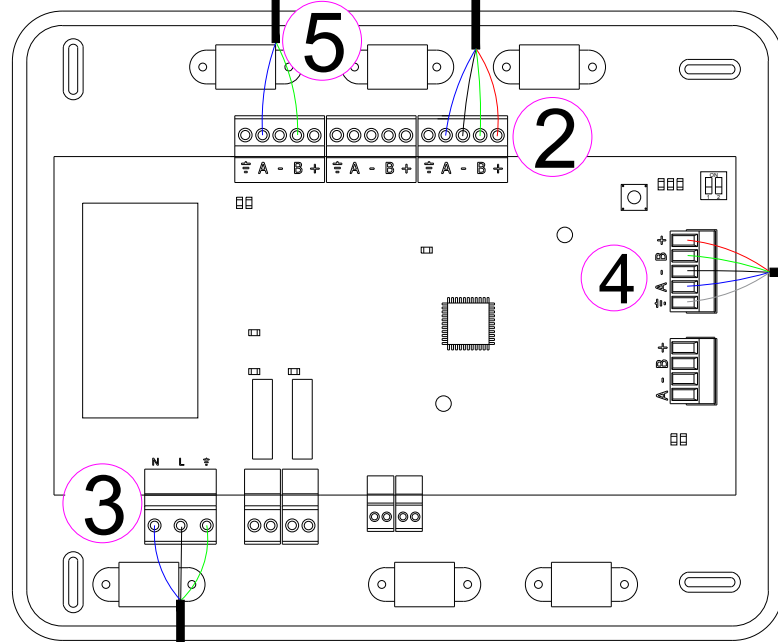
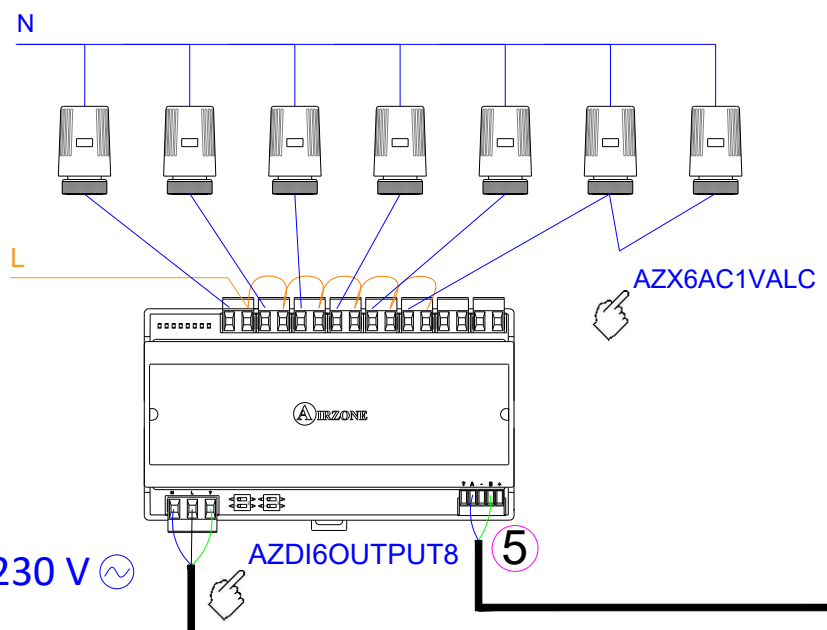
AZX6CCPGAWI

AZDI6MZZONC



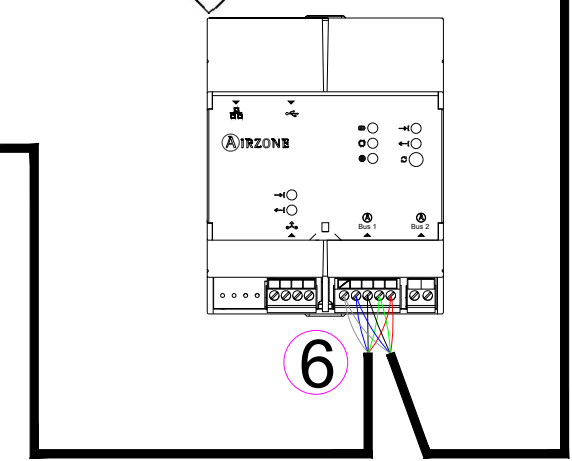
Termostatos / Thermostats

230 V ~



230 V ~ AZDI6ACUAZONE

AZX6WSPHUB



- N Neutro | Neutral | Neutro | Neutre | Neutro
- L Fase | Phase | Fase | Phase | Fase
- ⏏ Tierra | Ground | Terra | Terre | Terra

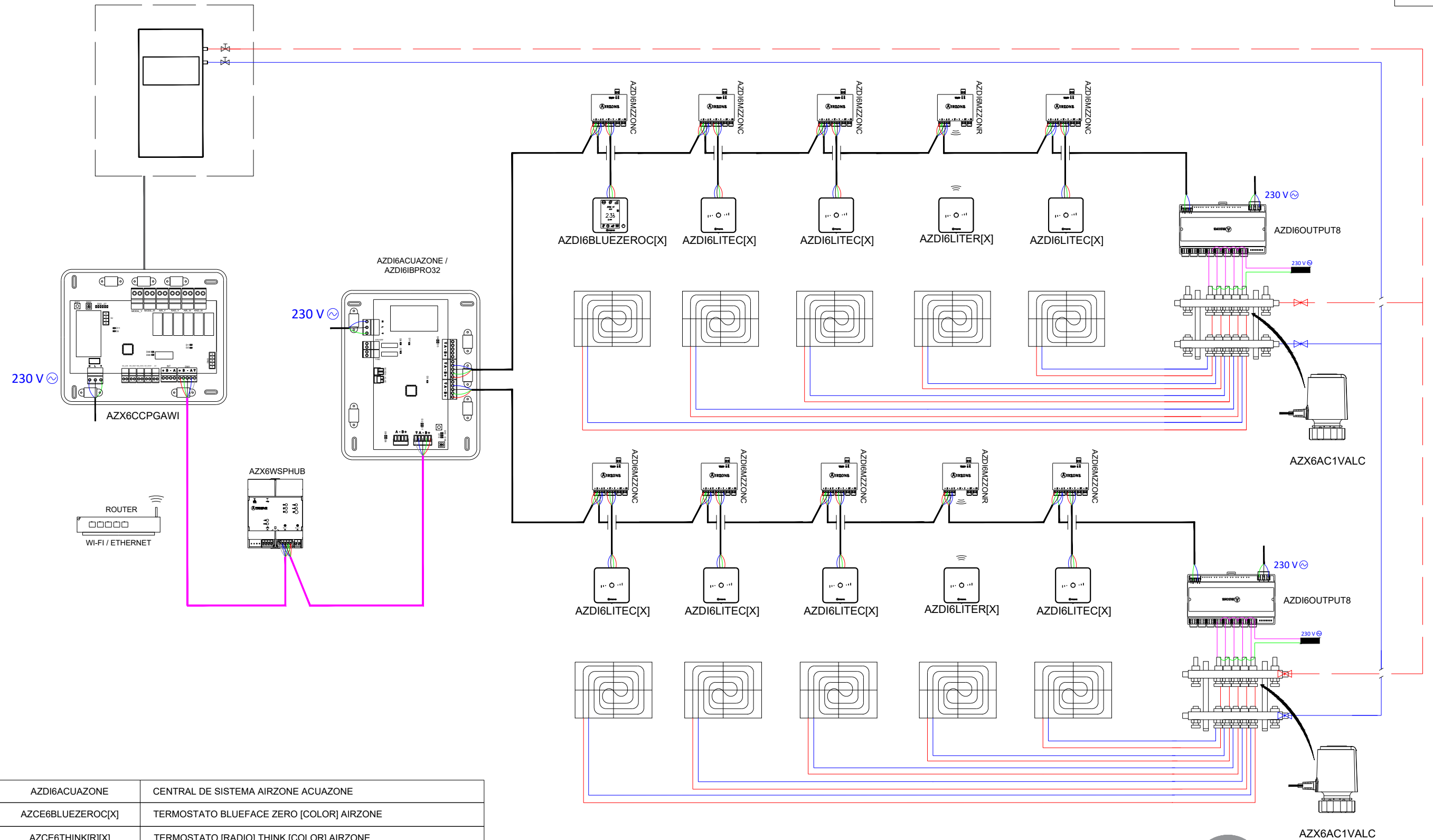
- A Azul | Blue | Azul | Bleu | Blu
- Negro | Black | Negro | Noir | Nero
- B Verde | Green | Verde | Vert | Verde
- + Rojo | Red | Vermelho | Rouge | Rosso

- 1 2 x 0.22 + 2 x 0.5 mm<sup>2</sup>
- 2 2 x 0.22 + 2 x 0.5 mm<sup>2</sup>
- 3 3 x 1.5 mm<sup>2</sup>
- 4 2 x 0.22 + 2 x 0.5 mm<sup>2</sup>
- 5 2 x 0.22 mm<sup>2</sup>
- 6 2 x 0.22 + 2 x 0.5 mm<sup>2</sup>



# EQUIPO HIDRÓNICO CON ELEMENTO RADIANTE EN MODO CALOR Y FRÍO HASTA 32 ZONAS

ES



AZDI6ACUAZONE	CENTRAL DE SISTEMA AIRZONE ACUAZONE
AZCE6BLUEZEROC[X]	TERMOSTATO BLUEFACE ZERO [COLOR] AIRZONE
AZCE6THINK[R][X]	TERMOSTATO [RADIO] THINK [COLOR] AIRZONE
AZCE6LITE[C/R][X]	TERMOSTATO [CABLE/RADIO] LITE [COLOR] AIRZONE
AZDI6MZZON[C/R]	MÓDULO DE ZONA MOTOR [CABLE/RADIO] AIRZONE
AZX6CCPGAWI	CENTRAL DE CONTROL DE PRODUCCIÓN AIRZONE
AZX6WSPHUB	WEBSERVER HUB AIRZONE CLOUD DUAL
AZDI6OUTPUT8	MÓDULO DE CONTROL DE ELEMENTOS RADIANTES AIRZONE
AZX6AC1VALC	CABEZAL TERMOSTÁTICO CABLEADO AIRZONE VALC

**AIRZONE**

PLANO ESQUEMA DE INSTALACIÓN

PLANO  
2/2

REALIZADOR : DEPARTAMENTO DE PROYECTOS ALTRA CORPORACIÓN

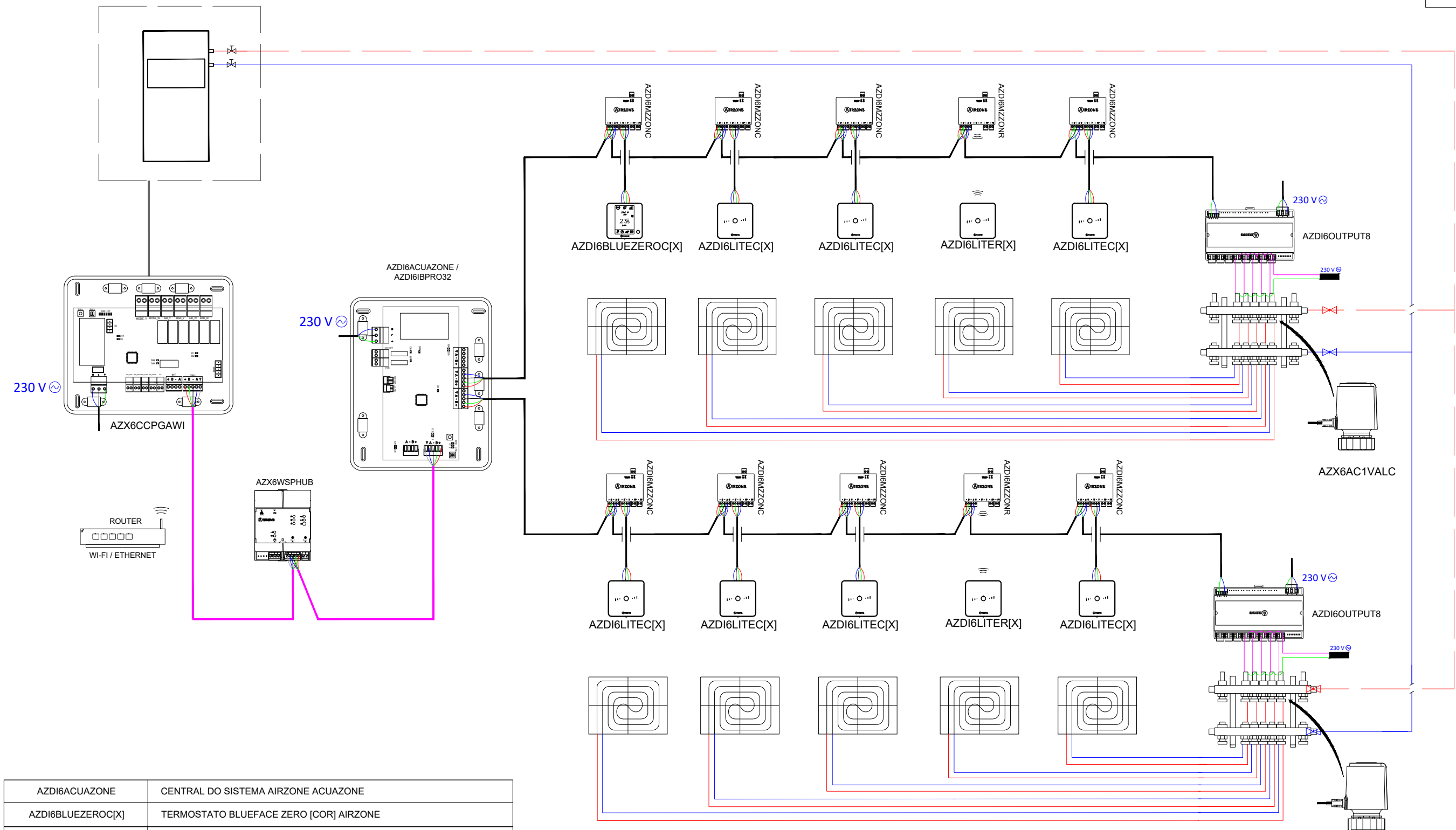
FECHA : 2023

TÍTULO : EQUIPO HIDRÓNICO CON ELEMENTO RADIANTE EN MODO FRÍO/CALOR HASTA 32 ZONAS

CONTACTO : proyectos@airzonecontrol.com Teléfono: 900 400 445 www.airzonecontrol.com

# UNIDADE HIDRÔNICA COM ELEMENTO RADIANTE MODO CALOR E FRIO ATÉ 32 ZONAS

PT

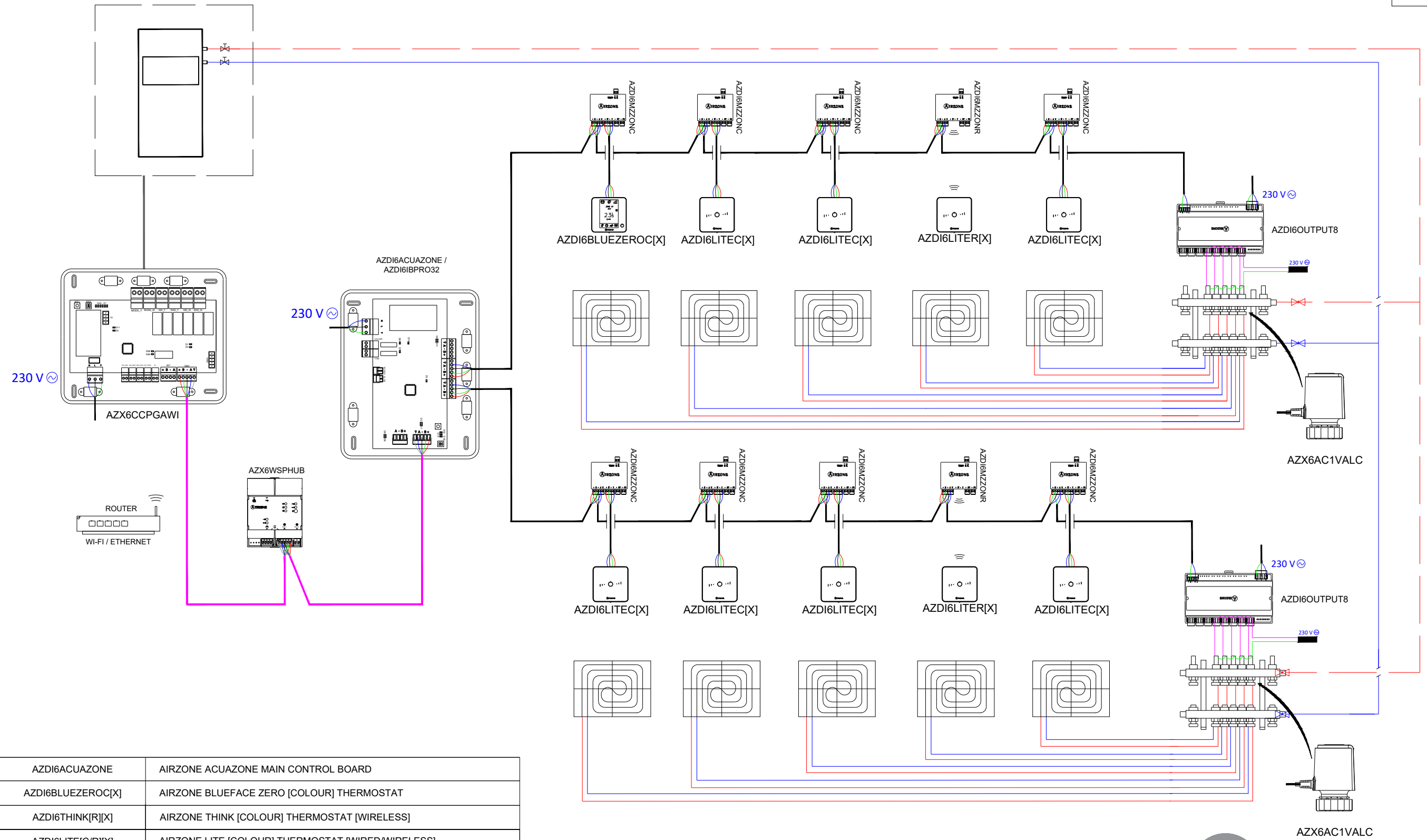


AZD16ACUAZONE	CENTRAL DO SISTEMA AIRZONE ACUAZONE
AZD16BLUEZEROC[X]	TERMOSTATO BLUEFACE ZERO [COR] AIRZONE
AZD16THINK[R][X]	TERMOSTATO [RADIO] THINK [COR] AIRZONE
AZD16LITE[C/R][X]	TERMOSTATO [CABO/RADIO] LITE [COR] AIRZONE
AZD16MZZON[C/R]	MÓDULO DE ZONA MOTOR [CABO/RADIO] AIRZONE
AZX6CCPGAWI	CENTRAL DE CONTROLO DE PRODUÇÃO AIRZONE
AZX6WSPHUB	WEBSERVER HUB AIRZONE CLOUD DUAL
AZD16OUTPUT8	MÓDULO DE CONTROLO DE ELEMENTOS RADIANTES AIRZONE
AZX6AC1VALC	CABEÇA TERMOSTÁTICA POR CABO AIRZONE VALC



# HYDRONIC PRODUCTION WITH RADIANT HEATING/COOLING MODE. UP TO 32 ZONES

EN



AZD16ACUAZONE	AIRZONE ACUAZONE MAIN CONTROL BOARD
AZD16BLUEZEROC[X]	AIRZONE BLUEFACE ZERO [COLOUR] THERMOSTAT
AZD16THINK[R][X]	AIRZONE THINK [COLOUR] THERMOSTAT [WIRELESS]
AZD16LITE[C/R][X]	AIRZONE LITE [COLOUR] THERMOSTAT [WIRED/WIRELESS]
AZD16MZZON[C/R]	AIRZONE ACTUATOR ZONE MODULE WIRED
AZX6CCPGAWI	AIRZONE PRODUCTION CONTROL BOARD
AZX6WSPHUB	WEBSERVER HUB AIRZONE CLOUD DUAL
AZD16OUTPUT8	AIRZONE CONTROL MODULE OF RADIANT ELEMENTS
AZX6AC1VALC	AIRZONE WIRED THERMOSTATIC VALVE ACTUATOR VALC



PLAN WIRING DIAGRAM

PLAN 2/2

DEVELOPER : PROJECT DEPARTMENT AIRZONE

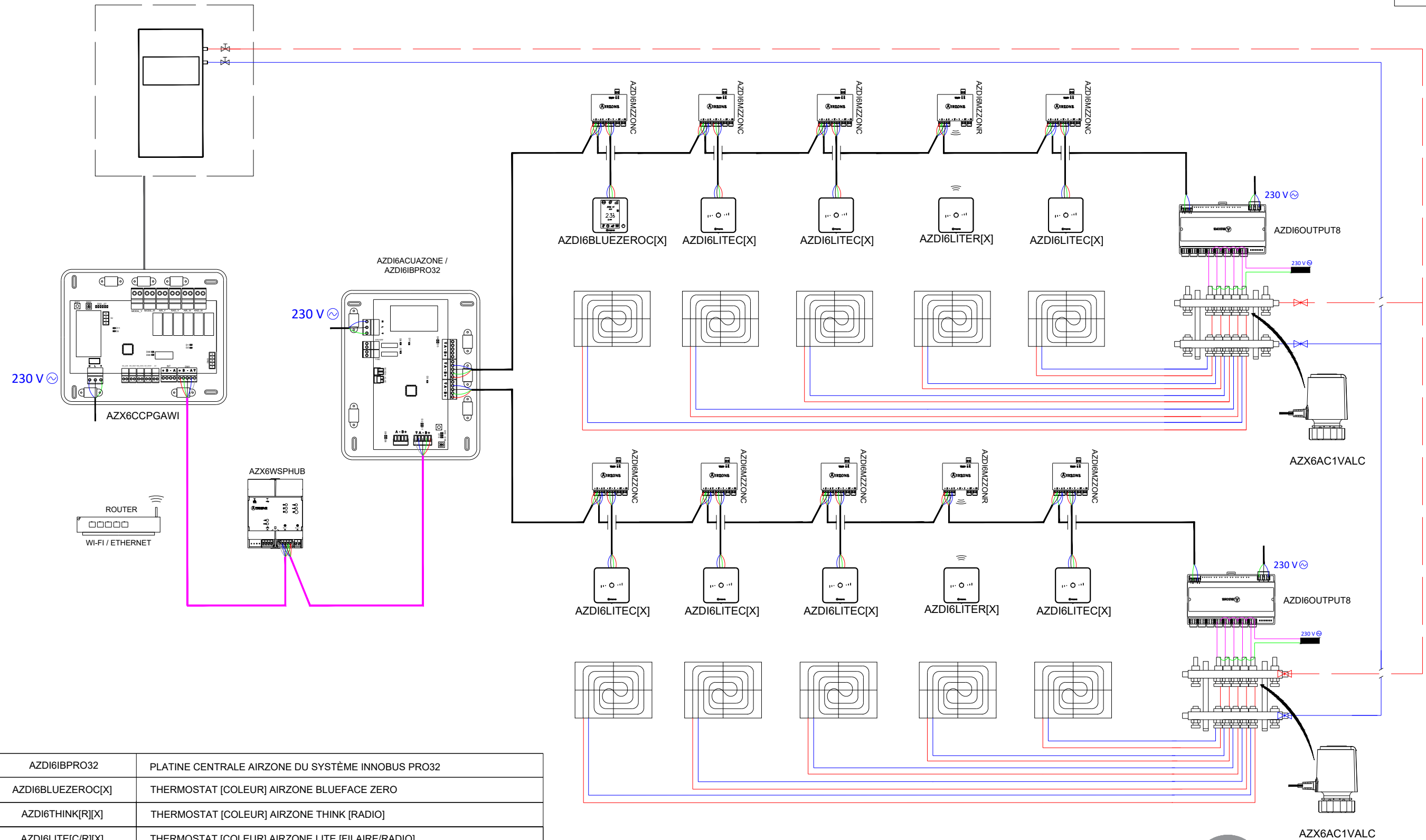
DATE : 2023

FILE : HYDRONIC PRODUCTION WITH RADIANT HEATING/COOLING MODE. UP TO 32 ZONES

CONTACT: projects@airzonecontrol.com Teléfono: 900 400 445 www.airzonecontrol.com

# CONTRÔLE D'ELEMENTS RAYONNANTS (CHAUD-FROID) JUSQU'À 32 ZONES (INNOBUS PRO 32)

FR



AZDI6BPRO32	PLATINE CENTRALE AIRZONE DU SYSTÈME INNOBUS PRO32
AZDI6BLUEZEROC[X]	THERMOSTAT [COLEUR] AIRZONE BLUEFACE ZERO
AZDI6THINK[RJ][X]	THERMOSTAT [COLEUR] AIRZONE THINK [RADIO]
AZDI6LITE[C/R][X]	THERMOSTAT [COLEUR] AIRZONE LITE [FILAIRE/RADIO]
AZDI6MZZON[C/R]	MODULE LOCAL AIRZONE [FILAIRE/RADIO]
AZX6CCPGAWI	CENTRALE DE CONTRÔLE DE PRODUCTION AIRZONE
AZX6WSPHUB	WEBSERVER HUB AIRZONE CLOUD DUAL
AZDI6OUTPUT8	MODULE DE CONTRÔLE AIRZONE D'ÉLÉMENTS RAYONNANTS
AZX6AC1VALC	MOTEUR ÉLECTROTHERMIQUE FILAIRE AIRZONE VALC



PLAN SCHÉMA D'INSTALLATION PLAN 2/2

DESSINATEUR : DÉPARTEMENT PROJETS AIRZONE

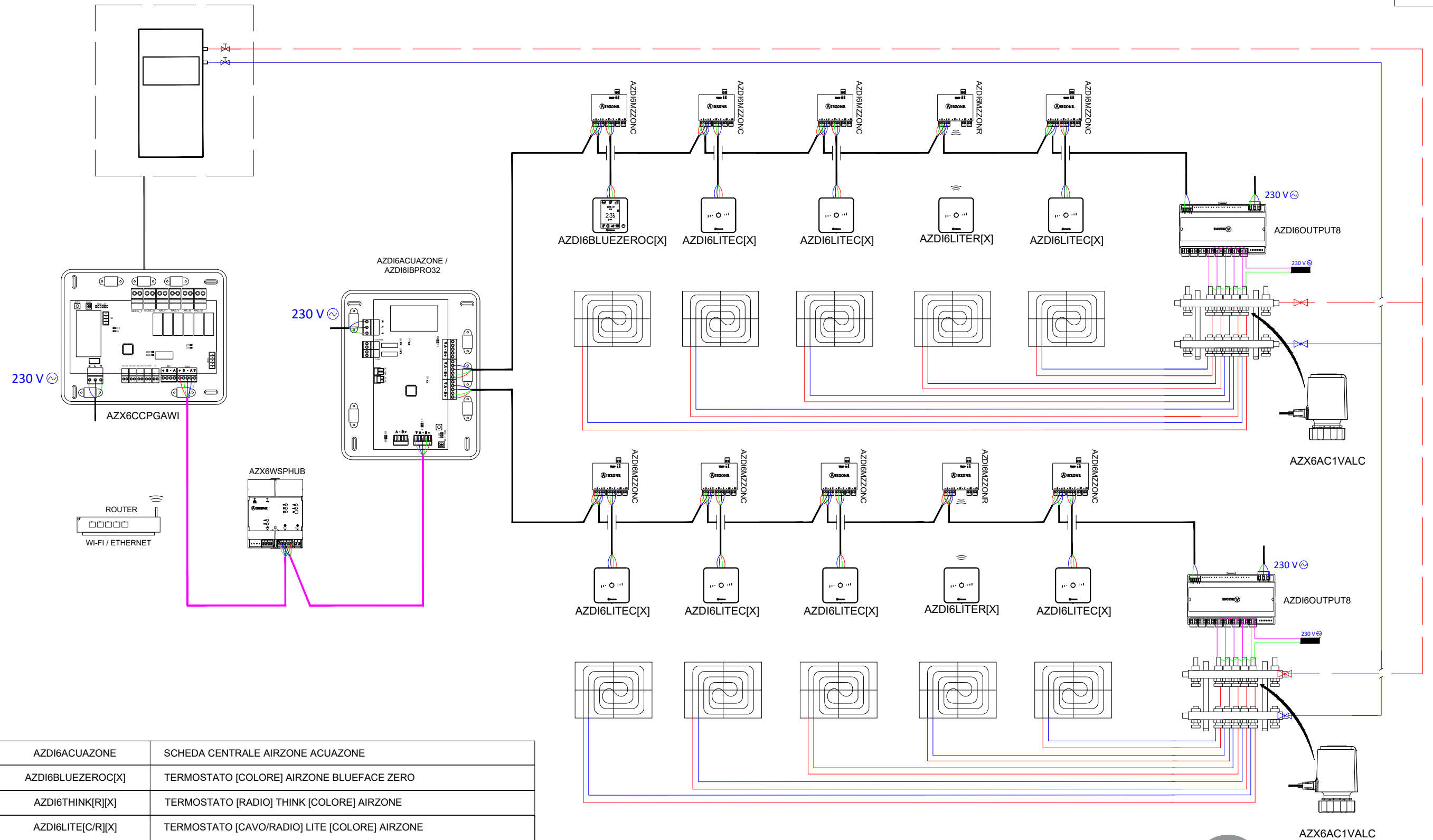
DATE : 2023

TITRE : CONTRÔLE D'ELEMENTS RAYONNANTS (CHAUD-FROID) JUSQU'À 32 ZONES

CONTACT: projets@airzonefrance.fr Téléphone: 01 82 88 51 49 www.airzonecontrol.com

# IMPIANTO AD ACQUA CON RISCALDAMENTO E REFRESCAMENTO A PAVIMENTO FINO A 32 ZONE

IT



AZDI6ACUAZONE	SCHEDA CENTRALE AIRZONE ACUAZONE
AZDI6BLUEZEROC[X]	TERMOSTATO [COLORE] AIRZONE BLUEFACE ZERO
AZDI6THINK[R][X]	TERMOSTATO [RADIO] THINK [COLORE] AIRZONE
AZDI6LITE[C/R][X]	TERMOSTATO [CAVO/RADIO] LITE [COLORE] AIRZONE
AZDI6MZZON[C/R]	MODULI DI ZONA AIRZONE MOTORIZZAZIONE [CAVO/RADIO]
AZX6CCPGAWI	CENTRALE DE CONTROLLO PRODUZIONE AIRZONE
AZX6WSPHUB	WEBSERVER HUB AIRZONE CLOUD DUAL
AZDI6OUTPUT8	SCHEDA CONTROLLO RISCALDAMENTO AIRZONE
AZX6AC1VALC	TESTINE ELETTROTERMICHE CABLATA AIRZONE VALC



PIANO SCHEMA D'INSTALLAZIONE

PIANO  
2/2

DISEGNATO DA : UFFICIO PROGETTI ALTRA CORPORACIÓN

DATA : 2023

TITOLO : IMPIANTO AD ACQUA CON RISCALDAMENTO E REFRESCAMENTO A PAVIMENTO FINO A 32 ZONE

CONTATTO: progetti@airzoneitalia.it Telefono: 02568 14756 www.airzoneitalia.it