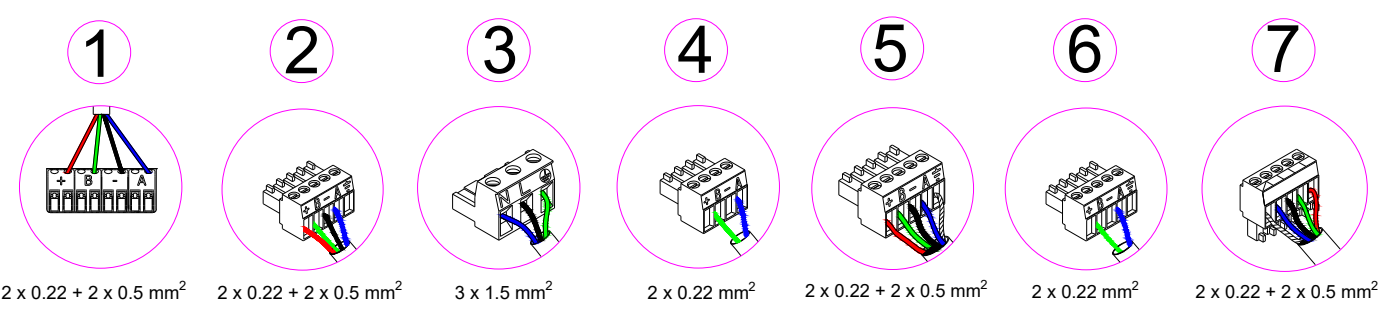
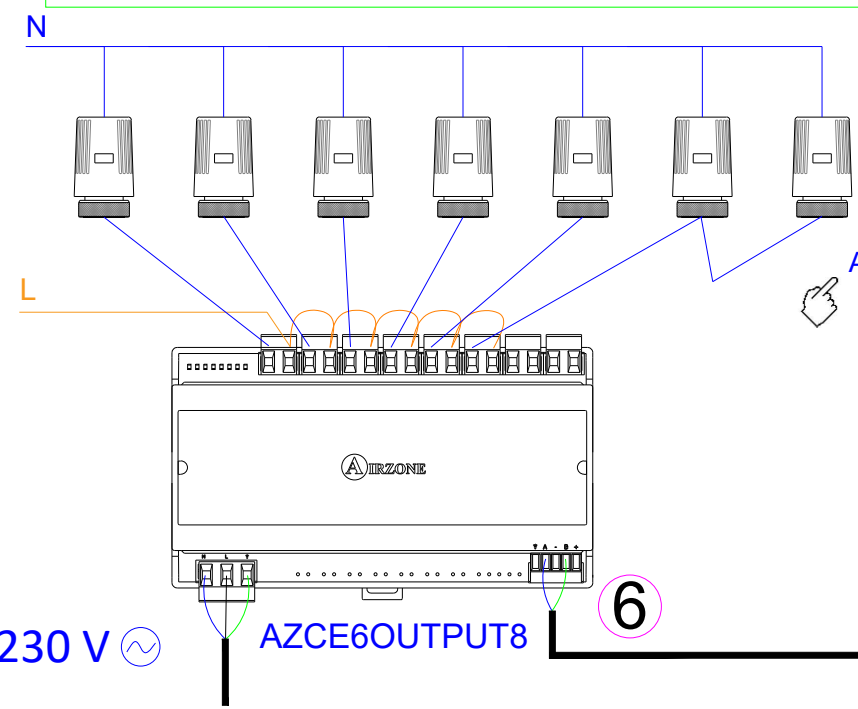
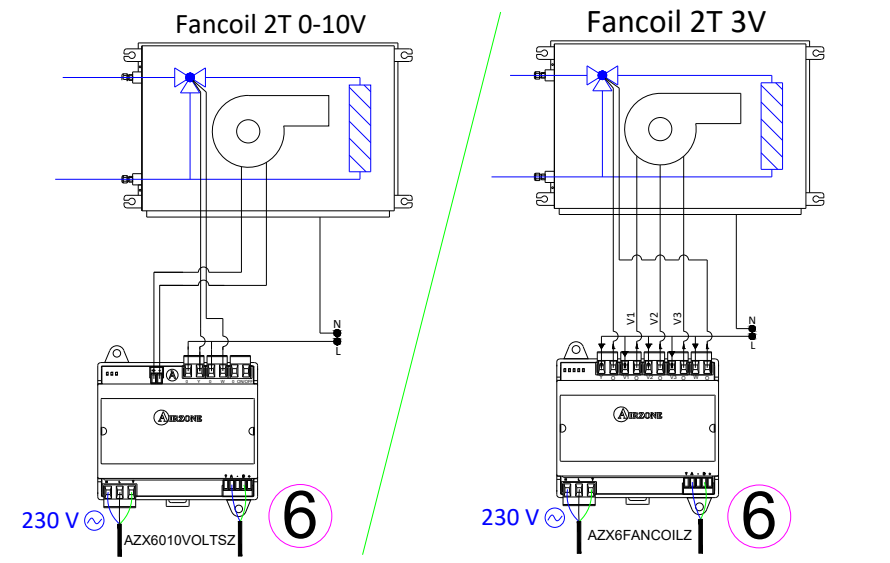
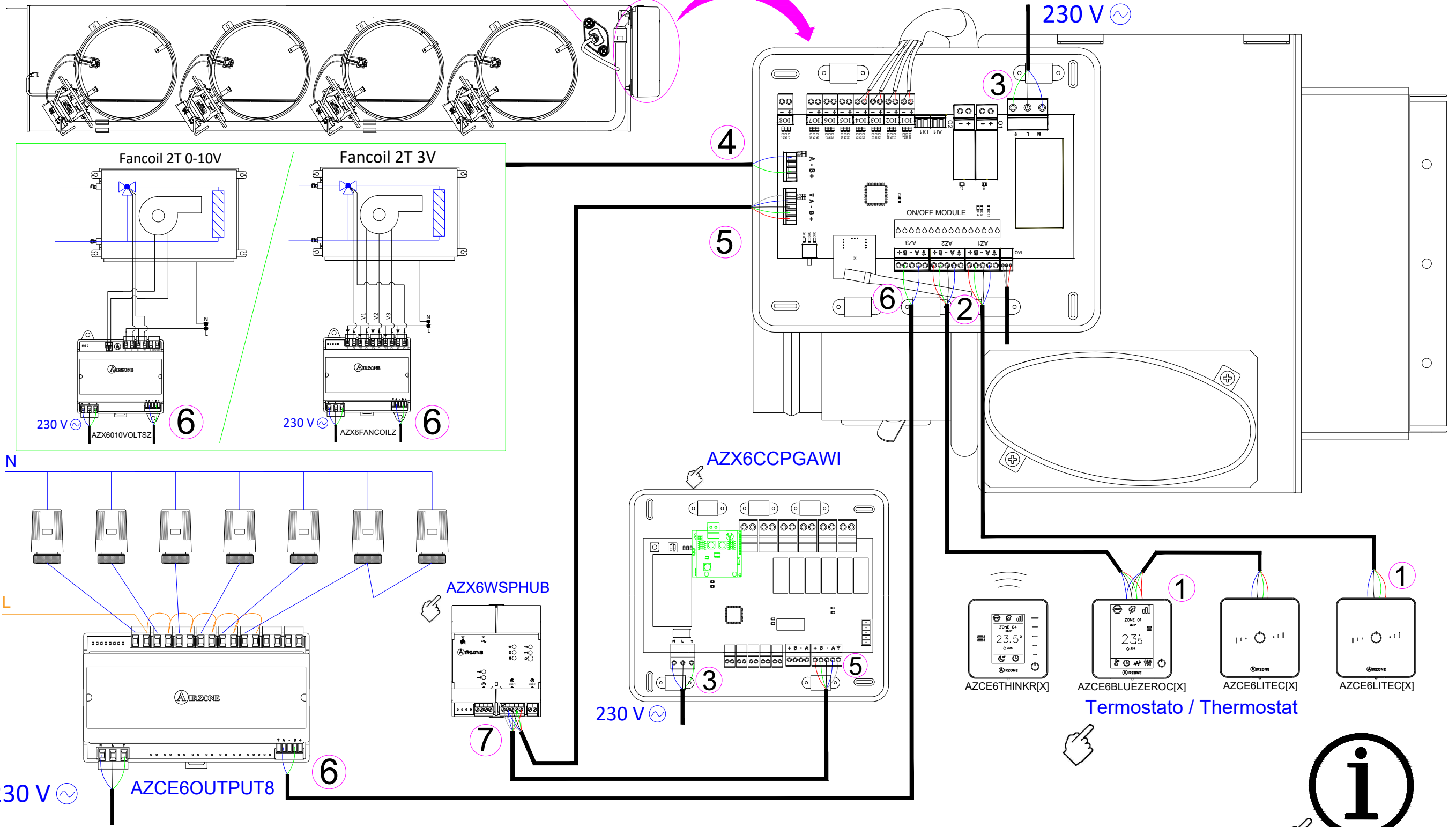


# EASYZONE

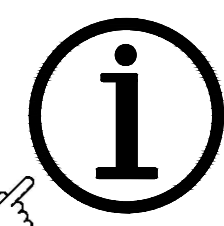
AZEZ8ACCPMS

230 V ~



**A** Azul | Blue | Azul | Bleu | Blu  
**=** Negro | Black | Negro | Noir | Nero  
**B** Verde | Green | Verde | Vert | Verde  
**+** Rojo | Red | Vermelho | Rouge | Rosso

**N** Neutro | Neutral | Neutro | Neutre | Neutro  
**L** Fase | Phase | Fase | Phase | Fase  
 Tierra | Ground | Terra | Terre | Terra

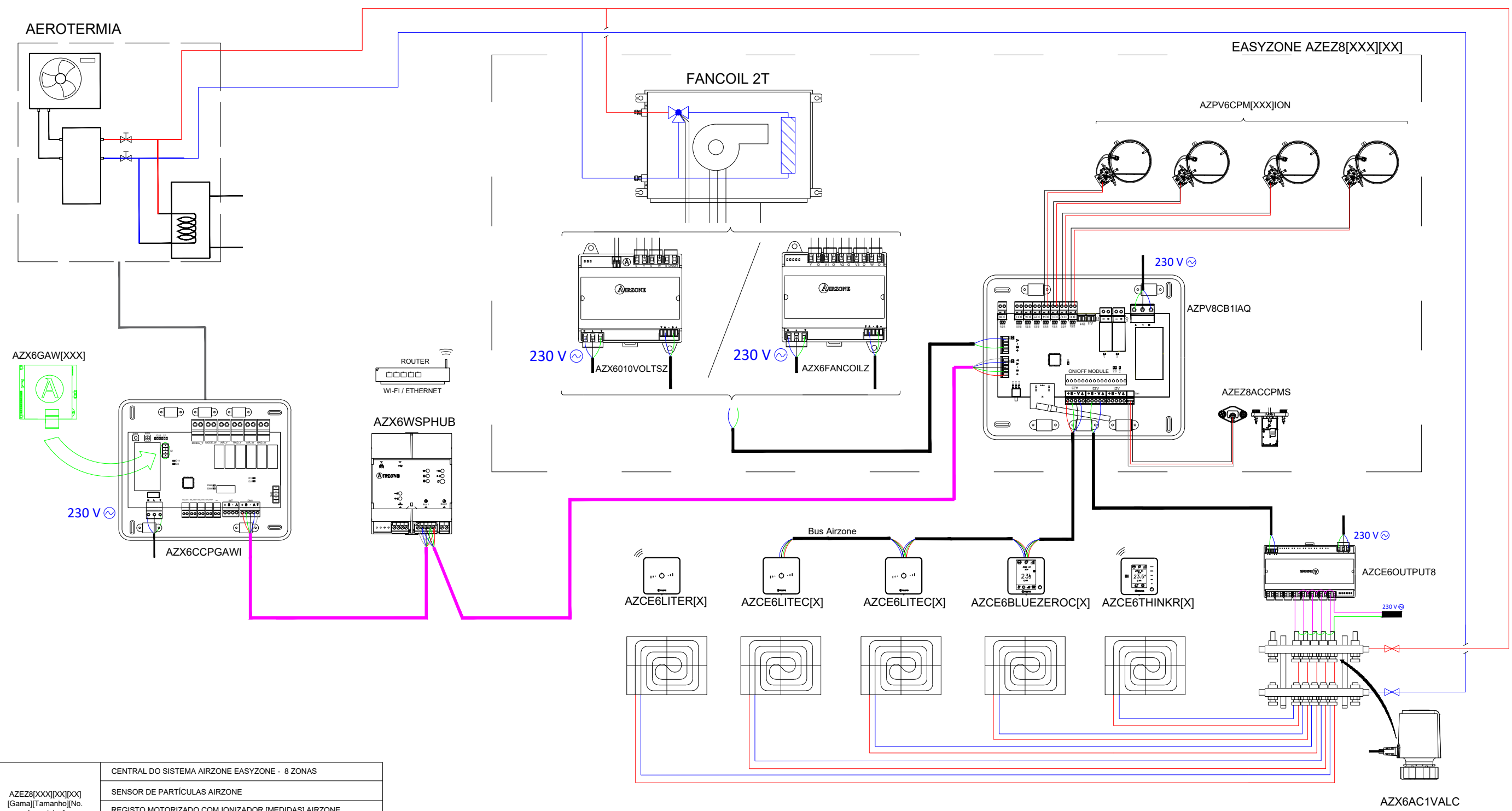


# AIRZONE



# UNIDADE FANCOIL DE CONDUTAS ZONIFICADA PARA CONDUTA FLEXIVEL COM ELEMENTO RADIANTE ATE 8 ZONAS

PT

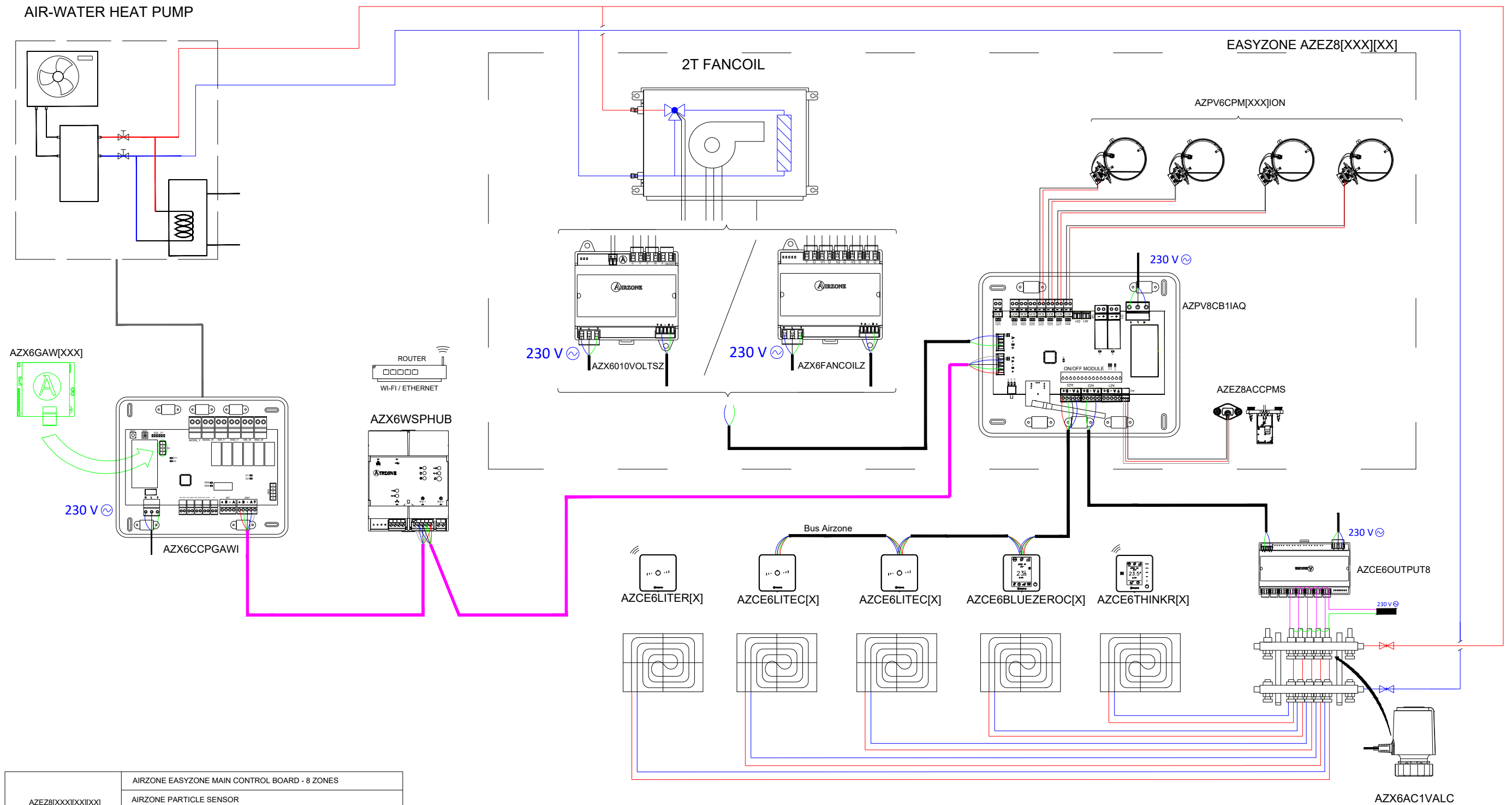


AZE8[XXX][XX][XX] [Gama][Tamanho][No. de registos]	CENTRAL DO SISTEMA AIRZONE EASYZONE - 8 ZONAS
AZE8[XXX][XX][XX]	SENSOR DE PARTÍCULAS AIRZONE
AZE8[XXX][XX][XX]	REGISTO MOTORIZADO COM IONIZADOR [MEDIDAS] AIRZONE
AZE8[XXX][XX][XX]	GATEWAY DE COMUNICAÇÕES AIRZONE [MARCA]
AZCE6BLUEZEROC[X]	TERMOSTATO BLUEFACE ZERO [COR] AIRZONE
AZCE6THINK[R][X]	TERMOSTATO [RADIO] THINK [COR] AIRZONE
AZCE6LITE[C/R][X]	TERMOSTATO [CABO/RADIO] LITE [COR] AIRZONE
AZX6WSPHUB	WEBSERVER HUB AIRZONE CLOUD DUAL
AZCE6OUTPUT8	MÓDULO DE CONTROLO DE ELEMENTOS RADIANTES AIRZONE
AZX6AC1VALC	CABEÇA TERMOSTÁTICA POR CABO AIRZONE
AZX6010VOLTSZ	GATEWAY DE CONTROLO AIRZONE-FANCOIL 0-10V
AZX6FANCOILZ	GATEWAY DE CONTROLO AIRZONE-FANCOIL 3 VELOCIDADES
AZX6CCPGAWI	CENTRAL DE CONTROLO DE PRODUÇÃO DE AEROTERMIA AIRZONE
AZX6GAW[XXX]	GATEWAY DE AEROTERMIA AIRZONE [MARCA]



# AIR-WATER HEAT PUMP WITH ZONED INVERTER FAN COIL WITH RADIANT HEATING-UP TO 8 ZONES

EN



AZEZ8[XXX][XX][XX] [Range][Size][Number of dumper]	AIRZONE EASYZONE MAIN CONTROL BOARD - 8 ZONES
	AIRZONE PARTICLE SENSOR
	AIRZONE MOTORIZED DUCT DUMPER [SIZE]
	AIRZONE [MANUFACTURER] COMMUNICATION GATEWAY
AZCE6BLUEZEROC[X]	AIRZONE BLUEFACE ZERO [COLOUR] THERMOSTAT
AZCE6THINK[R][X]	AIRZONE THINK [WIRELESS] [COLOUR] THERMOSTAT
AZCE6LITE[C][R][X]	AIRZONE LITE [WIRED/WIRELESS] [COLOUR] THERMOSTAT
AZX6WSPHUB	AIRZONE WEBSERVER HUB CLOUD DUAL
AZE6OUTPUT8	AIRZONE CONTROL MODULE OF RADIANT ELEMENTS
AZX6AC1VALC	AIRZONE WIRED THERMOSTATIC VALVE ACTUATOR
AZX6010VOLTSZ	AIRZONE 0-10V FANCOIL CONTROL GATEWAY
AZX6FANCOILZ	AIRZONE CONTROL GATEWAY-3 SPEEDS FANCOIL
AZX6CCPGAWI	AIRZONE HYDRONIC PRODUCTION CONTROL BOARD
AZX6GAW[XXX]	AIRZONE [MANUFACTURER] AIR TO WATER GATEWAY



PLAN WIRING DIAGRAM

PLAN 2/2

DEVELOPER: PROJECT DEPARTMENT AIRZONE

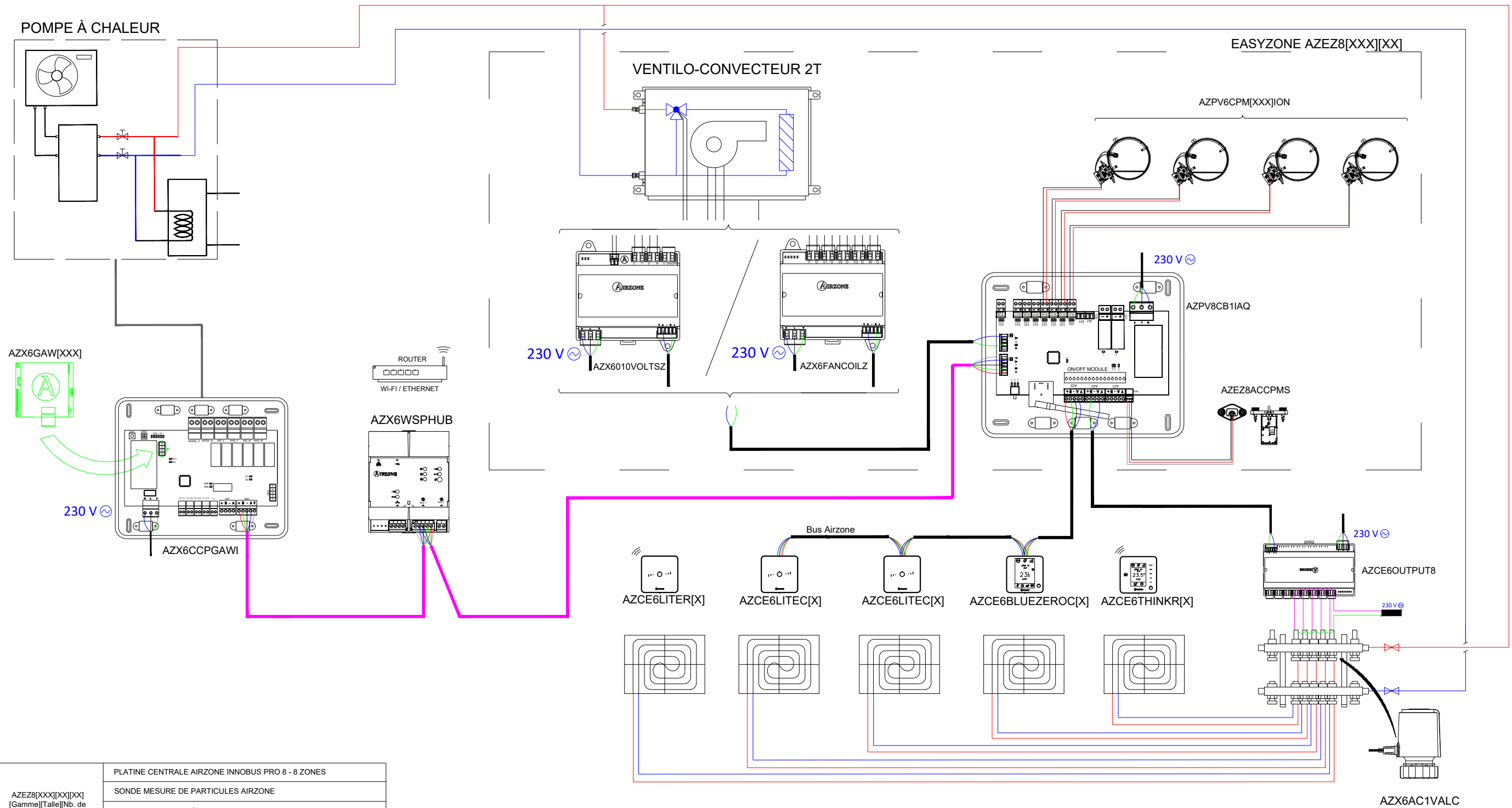
DATE: 2023

FILE: AIR-WATER HEAT PUMP WITH ZONED INVERTER FAN COIL WITH RADIANT HEATING-UP TO 8 ZONES

CONTACT: projects@airzonecontrol.com Phone: 900 400 445 www.airzonecontrol.com

# VENTILO-CONVECTEUR AVEC PLENUM MOTORISÉ ET CONTRÔLE D'ÉLÉMENTS RAYONNANTS JUSQU'À 8 ZONES (EASYZONE)

FR



AZEZ8[XXX][XX][XX] [Gamme][Taille][Nb. de registres motorisés]	PLATINE CENTRALE AIRZONE INNOBUS PRO 8 - 8 ZONES SONDE MESURE DE PARTICULES AIRZONE REGISTRE MOTORISÉ CIRCULAIRE AVEC IONISEUR [Ø] AIRZONE PASSERELLE DE COMMUNICATION AIRZONE [MARQUE]
AZCE6BLUEZEROC[X]	THERMOSTAT BLUEFACE ZERO FILAIRE [COULEUR] AIRZONE
AZCE6THINKR[X]	THERMOSTAT THINK [RADIO] [COULEUR] AIRZONE
AZCE6LITE[C/R][X]	THERMOSTAT LITE [FILAIRE/RADIO] [COULEUR] AIRZONE
AZX6WSPHUB	WEBSERVER HUB AIRZONE CLOUD DUAL
AZCE6OUTPUT8	MODULE DE CONTRÔLE IBPRO6 AIRZONE D'ÉLÉMENTS RAYONNANTS
AZX6AC1VALC	MOTEUR ÉLECTROTHERMIQUE FILAIRE AIRZONE VALC
AZX6010VOLTSZ	PASSERELLE DE CONTRÔLE AIRZONE VENTILO-CONVECTEUR 0-10 V
AZX6FANCOILZ	PASSERELLE DE CONTRÔLE AIRZONE VENTILO-CONVECTEUR 3 VITESSES
AZX6CCPGAWI	CENTRALE DE CONTRÔLE DE PRODUCTION HYDRAULIQUE AIRZONE
AZX6GAW[XXX]	PASSERELE PAC AIR-EAU [MARQUE]



PLAN SCHEMA D'INSTALLATION

PLAN  
2/2

DESSINATEUR : DÉPARTEMENT PROJETS AIRZONE

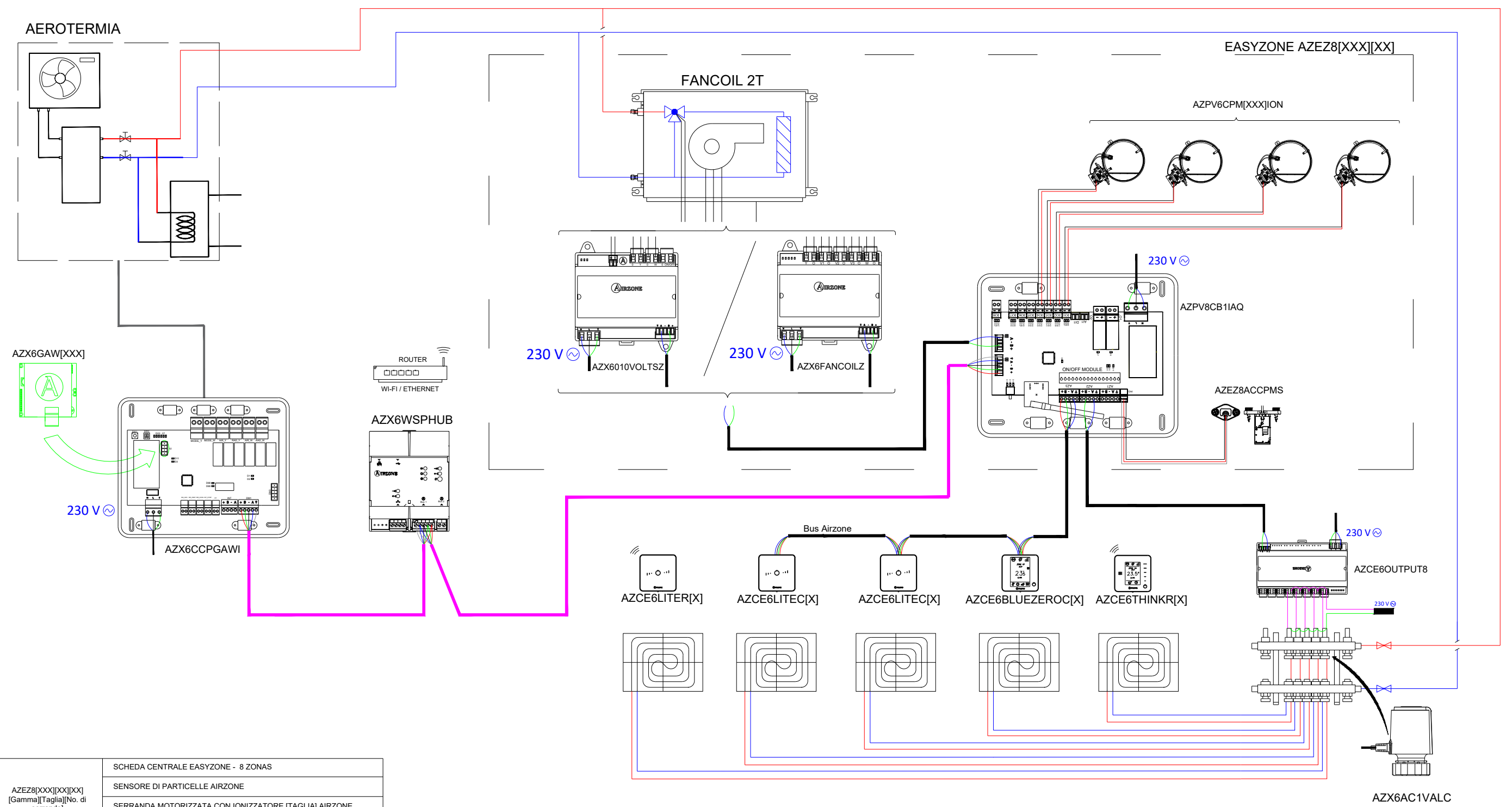
DATE : 2023

TITRE : VENTILO-CONVECTEUR AVEC PLENUM MOTORISÉ ET CONTRÔLE D'ÉLÉMENTS RAYONNANTS JUSQU'À 8 ZONES

CONTACT: Mail : projets@airzonefrance.fr Téléphone : 01 82 88 51 19 Page web : www.airzonecontrol.com

# IMPIANTO A POMPA DI CALORE CON PLENUM MOTORIZZATO CON FANCOIL ED IMPIANTO RADIANTE FINO A 8 ZONE A 8 ZONE

IT



AZE8[XXX][XX][XX] [Gamma][Taglia][No. di serrande]	SCHEDA CENTRALE EASYZONE - 8 ZONAS SENSORE DI PARTICELLE AIRZONE SERRANDA MOTORIZZATA CON IONIZZATORE [TAGLIA] AIRZONE INTERFACCIA DI COMUNICAZIONE AIRZONE [MARCHIO]
AZCE6BLUEZEROC[X]	TERMOSTATO BLUEFACE ZERO [COLORE] AIRZONE
AZCE6THINK[R][X]	TERMOSTATO THINK [RADIO] [COLORE] AIRZONE
AZCE6LITE[C/R][X]	TERMOSTATO LITE [CAVO/RADIO] [COLORE] AIRZONE
AZX6WSPHUB	WEBSERVER HUB AIRZONE CLOUD DUAL
AZCE6OUTPUT8	SCHEDA CONTROLLO RISCALDAMENTO AIRZONE
AZX6AC1VALC	TESTINE ELETTROTHERMICHE CABLATA AIRZONE
AZX6010VOLTSZ	INTERFACCIA DI CONTROLLO FANCOIL 0-10V AIRZONE
AZX6FANCOILZ	INTERFACCIA DI CONTROLLO FANCOIL 3 VELOCITÀ AIRZONE
AZX6CCPGAWI	CENTRALE DI CONTROLLO PRODUZIONE IDRONICA AIRZONE
AZX6GAW[XXX]	INTERFACCIA IDRONICA [MARCHIO] AIRZONE



PIANO SCHEMA D'INSTALLAZIONE

PIANO  
2/2

DISEGNATO DA : UFFICIO PROGETTI ALTRA CORPORACIÓN

DATA : 2023

TITOLO : IMPIANTO A POMPA DI CALORE CON PLENUM MOTORIZZATO CON FANCOIL ED IMPIANTO RADIANTE FINO A 8 ZONE

CONTATTO: progetti@airzoneitalia.it Telefono: 02568 14756 www.airzoneitalia.it